

PI-housing Models PIH-L, PIH-H, PIH-W, PIR-L, PIR-H, PIR-W

WIKA data sheet AC 80.30



Applications

- Refineries
- Oil and gas industry
- Chemical industry
- Offshore exploration and drilling
- Pulp and paper industry

Special features

- Explosion-protected versions
- High-quality surface coating
- Window for digital display
- 33 mm [1.3 in] pitch circle diameter for terminal block/transmitter mounting
- Accessories for pipe mounting



Fig. left: Model PIH-H with high screw-on lid

Fig. right: Model PIH-W with high screw-on lid and window

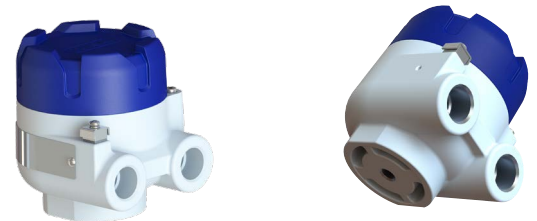


Fig. left: Model PIH-L with flat screw-on lid

Fig. right: Model PIR-L with M10 thread at the underside of the case

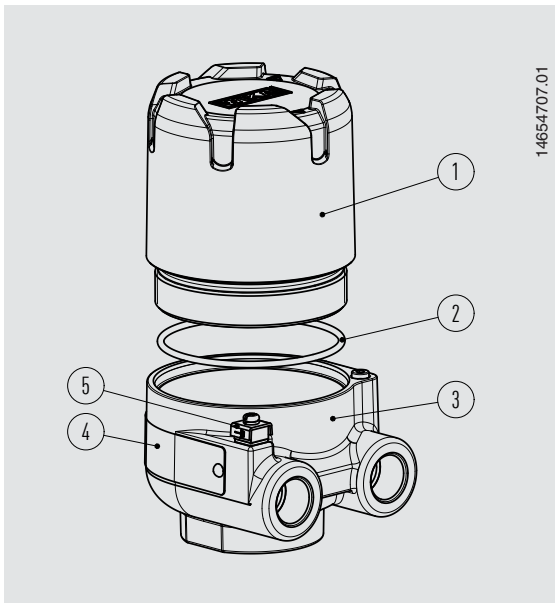
Description

The connection head of the PIH or PIR series is available with various explosion protection certifications for different ignition protection types. The fitting of different terminal blocks or transmitters is possible. A window in the upper body of the case enables the fitting of a digital display for the on-site display of the measured value. With the optional wall or pipe-mounting brackets (V-shaped-bolt adapter), vertical or horizontal mounting in the field is possible. High-quality surface coatings also enable operation in harsh environments.

Internal grounding and external equipotential bonding terminals make the field cabling simple and easily accessible.

Specifications

Representation of the components



- ① Screw-on lid
- ② Sealing
- ③ Case
- ④ Product label of end device
- ⑤ Equipotential bonding terminal

Overview of versions	
Model	Description
PIH-L	Connection head with flat screw-on lid
PIH-H	Connection head with high screw-on lid
PIH-W	Connection head with high screw-on lid and window
PIR-L	Connection head with flat screw-on lid, pipe or wall mounting
PIR-H	Connection head with high screw-on lid, pipe or wall mounting
PIR-W	Connection head with high screw-on lid and window, pipe or wall mounting

Basic information		
Materials		
Case	Aluminium die-casting AlSi10Mg / AA 365.0 / JIS AC4A.2	
Screw-on lid	Aluminium die-casting AlSi10Mg / AA 365.0 / JIS AC4A.2	
Window	Glass	
Sealing	<ul style="list-style-type: none"> ■ EPDM -60 ... +90 °C [-76 ... 194 °F] ■ MVQ -60 ... +110°C [-76 ... 230 °F], on request ■ FPM -20 ... +110°C [-4 ... 230 °F], on request 	
Case surface		
Colour	Lower body	WIKA product grey RAL 7035
	Screw-on lid	WIKA product blue RAL 5022
Material	<ul style="list-style-type: none"> ■ PE/PU (polyester/polyurethane) powder coating ■ 90 +/- 40 µm thickness ■ Electrically conductive ■ The heads have undergone a salt mist test and showed no notable effects, in accordance with ISO 4628. The scratched areas correspond to the medium evaluation method A.2 of the ISO 12944-6 criterion C5-M. 	
Weight		
Case with flat screw-on lid	≤ 0.85 kg [≤ 1,9 lbs]	
Case with high screw-on lid	≤ 1.0 kg [≤ 2,2 lbs]	
Case head with high screw-on lid and window	≤ 1.1 kg [≤ 2,4 lbs]	

Overview of connection threads			
Head version for direct mounting on an electrical thermometer	Left Input A	Right Input B	Bottom, to neck tube Input C
PIH-L, PIH-H, PIH-W	M20 x 1.5	Closed	M20 x 1.5, ½ NPT, ¾ NPT
	M20 x 1.5	M20 x 1.5	M20 x 1.5, ½ NPT, ¾ NPT
	½ NPT	Closed	M20 x 1.5, ½ NPT, ¾ NPT
	½ NPT	½ NPT	M20 x 1.5, ½ NPT, ¾ NPT
	¾ NPT	Closed	½ NPT, ¾ NPT



Overview of connection threads			
Head version for pipe/wall mounting	Left Input A	Right Input B	Blind bore, no through-hole threads Input C
PIR-L, PIR-H, PIR-W	M20 x 1.5	M20 x 1.5	M10
	½ NPT	½ NPT	M10

Operating conditions		
Service temperature range		
Continuous operation	EPDM	-60 °C ... +90 °C [-76 ... +194 °F]
	EPDM, Ex	-60 °C ... +85 °C [-40 ... +185 °F]
Short time	EPDM	-70 °C ... +135 °C [-40 ... +230 °F]
Storage temperature range		
-60 °C ... +110 °C [-76 ... +230 °F]		
Salt mist		
ISO 4628 1)		
Ingress protection of the connection head		
IP66		

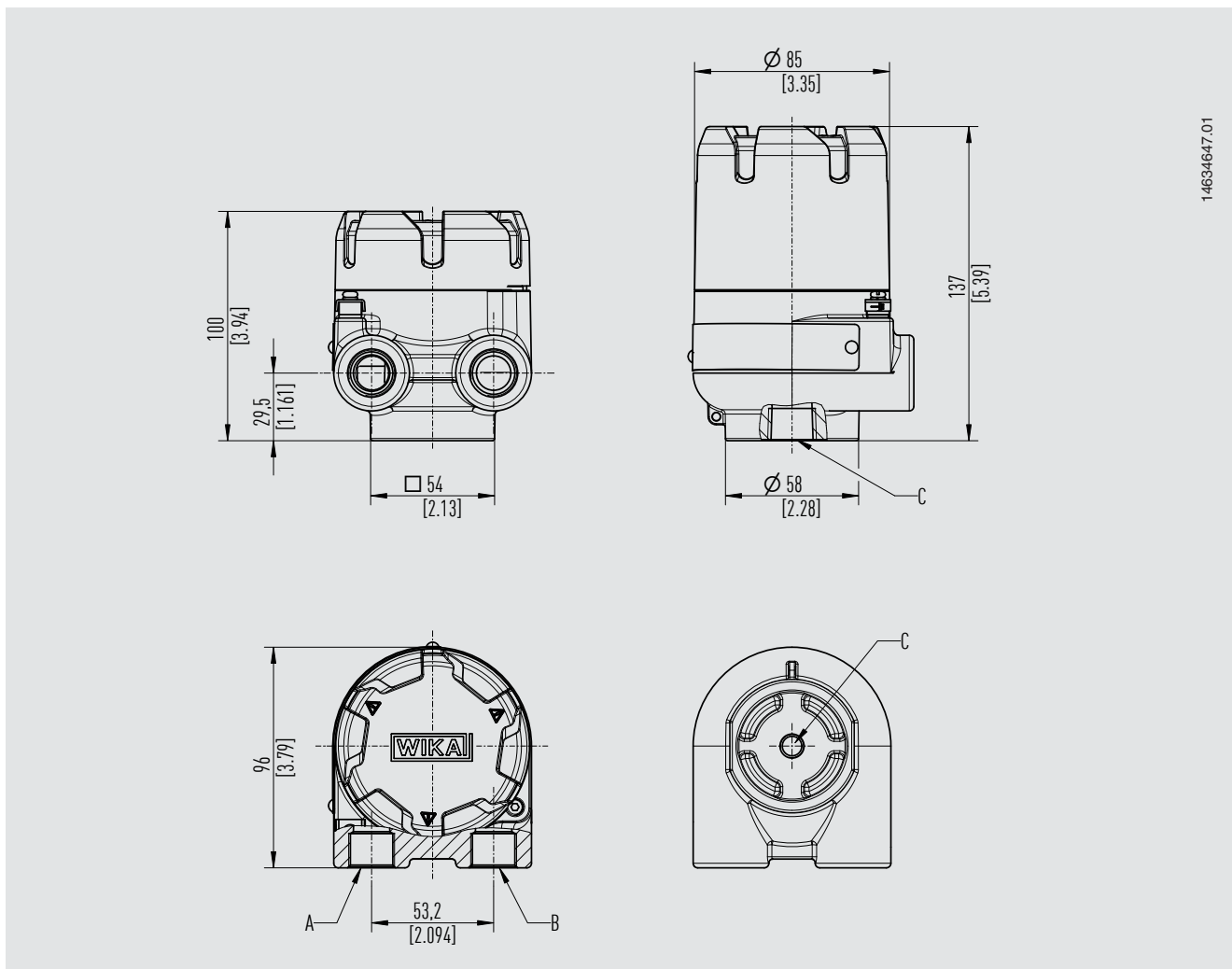
The specified IP degree of protection applies under the following conditions:

- Use of a suitable cable gland
- Use of a cable cross-section appropriate for the gland or select the appropriate cable gland for the available cable
- Adhere to the tightening torques for all threaded connections

Approvals

Logo	Description	Region						
	EU-type examination certificate	European Union						
	ATEX directive Hazardous areas PI*-* housing SAFEX - Ex d, Ex t <table style="margin-left: 20px;"> <tr> <td>Zone 1 gas</td> <td>II 2G Ex db IIC Gb</td> </tr> <tr> <td>Zone 21 dust</td> <td>II 2D Ex tb IIIC Db</td> </tr> </table> PI*-* housing SAEEX - Ex e, Ex t <table style="margin-left: 20px;"> <tr> <td>Zone 1 gas</td> <td>II 2G Ex eb IIC Gb</td> </tr> <tr> <td>Zone 21 dust</td> <td>II 2D Ex tb IIIC Db</td> </tr> </table>		Zone 1 gas	II 2G Ex db IIC Gb	Zone 21 dust	II 2D Ex tb IIIC Db	Zone 1 gas	II 2G Ex eb IIC Gb
Zone 1 gas	II 2G Ex db IIC Gb							
Zone 21 dust	II 2D Ex tb IIIC Db							
Zone 1 gas	II 2G Ex eb IIC Gb							
Zone 21 dust	II 2D Ex tb IIIC Db							
	IECEX	International						
	Hazardous areas PI*-* housing SAFEX - Ex d, Ex t <table style="margin-left: 20px;"> <tr> <td>Zone 1 gas</td> <td>Ex db IIC Gb</td> </tr> <tr> <td>Zone 21 dust</td> <td>Ex tb IIIC Db</td> </tr> </table> PI*-* housing SAEEX - Ex e, Ex t <table style="margin-left: 20px;"> <tr> <td>Zone 1 gas</td> <td>Ex eb IIC Gb</td> </tr> <tr> <td>Zone 21 dust</td> <td>Ex tb IIIC Db</td> </tr> </table>		Zone 1 gas	Ex db IIC Gb	Zone 21 dust	Ex tb IIIC Db	Zone 1 gas	Ex eb IIC Gb
Zone 1 gas	Ex db IIC Gb							
Zone 21 dust	Ex tb IIIC Db							
Zone 1 gas	Ex eb IIC Gb							
Zone 21 dust	Ex tb IIIC Db							



Dimensions in mm [in]



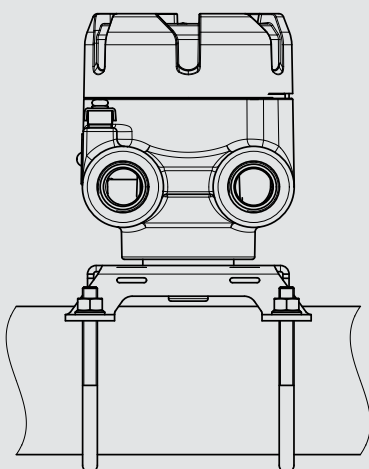
14634647.01

Input	Thread	Tightening torques in Nm
A	M20 x 1.5	20
	1/2 NPT	20
	3/4 NPT	25
B	M20 x 1.5	20
	1/2 NPT	20
C	1/2 NPT	30
	3/4 NPT	40
	M20 x 1.5 with lock nut	25

Accessories

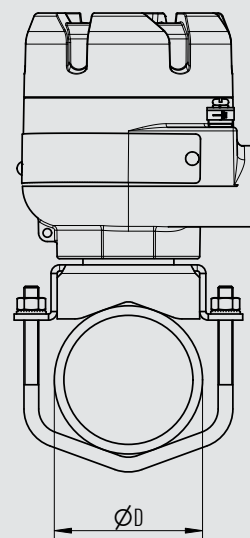
Figure	Description	Order number
	Pipe/ Wall-mounting kit Stainless steel pipe-/wall-mounting kit for pipe diameters of 38 ... 63 mm [1.5 ... 2.5 in], consisting of two V-shaped pipe mounting brackets and mounting plate	14658397
	TND – Temperature Numerical Display Indication module TND, 5-digit LC display A T38 transmitter is required for operating the TND clip-on display.	33025404

Pipe mounting (front view)



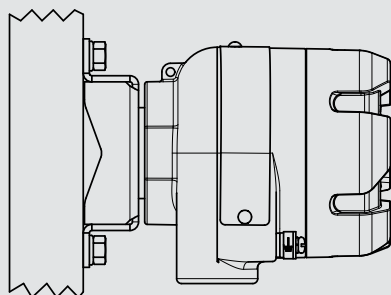
14636563.01

Pipe mounting (side view)



14636563.01

Wall mounting



14636563.01

Ordering information

Model / Head-mounted design / Thread sizes

To order the described product the order number is sufficient.

© 10/2023 WIKA Alexander Wiegand SE & Co. KG, all rights reserved.
The specifications given in this document represent the state of engineering at the time of publishing.
We reserve the right to make modifications to the specifications and materials.
In case of a different interpretation of the translated and the English data sheet, the English wording shall prevail.



WIKA Alexander Wiegand SE & Co. KG
Alexander-Wiegand-Straße 30
63911 Klingenberg/Germany
Tel. +49 9372 132-0
info@wika.de
www.wika.de