

Connecting Flanges for Diaphragm Pressure Gauges

WIKA Data Sheet IN 00.10

In general

The standard design of diaphragm pressure gauges is with a connection consisting of male pipe thread per EN, ASME, etc. For highly viscous, contaminated, or crystallizing media, however, it is advantageous, and sometimes even absolutely necessary to use flange connections.

Open connecting flanges per EN, ASME, etc., sizes DN 15 to DN 80, are available. Preferable nominal sizes are DN 25 and DN 50 with connection dimensions per EN 1092-1 resp. NSP 1" and NSP 2" matching to counter flanges per ASME B 16.5.

The following flanges are suitable for the WIKA basic

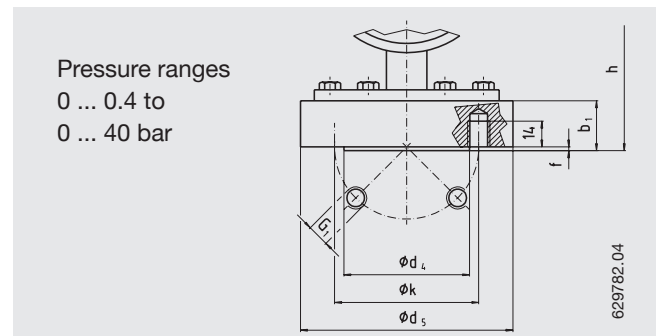
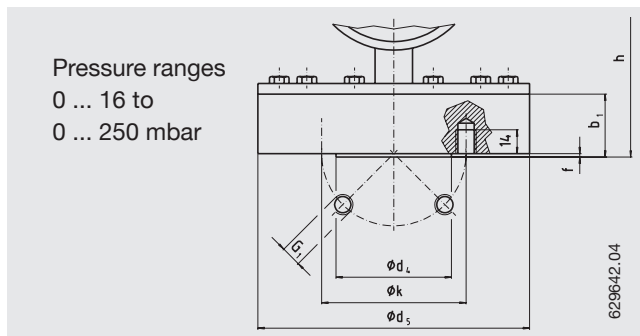
models: model 422.12 (data sheet PM 04.02), model 422.20 (data sheet PM 04.08), model 432.50 (data sheet PM 04.03), model 432.56 (data sheet PM 04.07, up to max. PN 40).

The weights given are additional weights that are to be added to the weights of the standard versions (with G 1/2 B per EN 837-3 connections). Materials: steel, stainless steel

Optional extras

- Open connecting flanges per other standards, different seals per various existing standards.
- Special materials, solid, or as linings and coatings (after feasibility test).

Connecting flange per EN 1092-1, DN 25, PN 40 or ASME B 16.5, NSP 1", Class 150

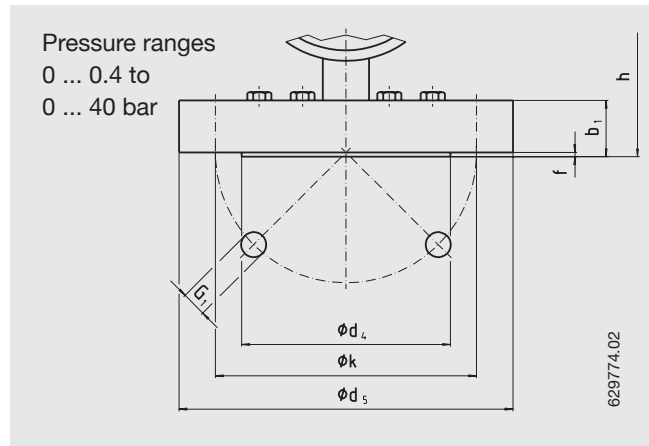
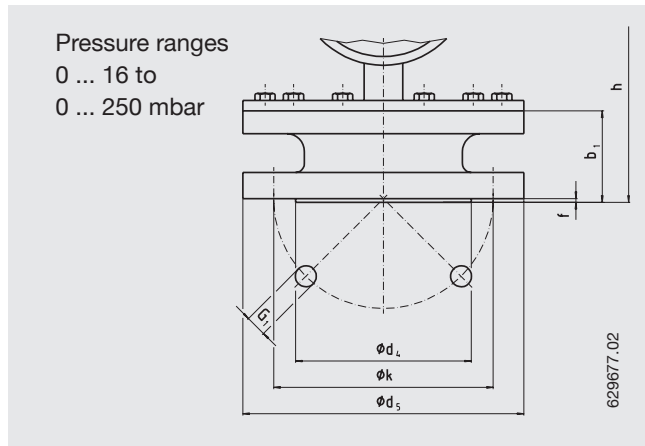


Connecting flange	Pressure gauge NS	Pressure ranges	Dimensions in mm						h ± 2		Additional weight in kg
			d ₅	k	d ₄	b ₁	f	G ₁	h ± 2	h ± 2 Model 432.50	
EN DN 25 PN 40 ¹⁾	100	≤ 0.25 bar	160	85	68	36	2	4 x M12	122	114	3.0
	160	≤ 0.25 bar	160	85	68	36	2	4 x M12	152	144	3.0
	100	> 0.25 bar	115	85	68	25	2	4 x M12	111	101	0.9
	160	> 0.25 bar	115	85	68	25	2	4 x M12	141	131	0.9
ASME NSP 1" Class 150 ²⁾	100	≤ 0.25 bar	160	79.5	51	36	2	4 x 1/2- 13 UNC	122	114	3.1
	160	≤ 0.25 bar	160	79.5	51	36	2	4 x 1/2- 13 UNC	152	144	3.1
	100	> 0.25 bar	110	79.5	51	27	2	4 x 1/2- 13 UNC	113	103	0.9
	160	> 0.25 bar	110	79.5	51	27	2	4 x 1/2- 13 UNC	143	133	0.9

Other dimensions same as standard versions (see appropriate specification sheet).

1) Matches to counter flange per EN 1092-1, form B2.
2) Raised Face.

Connecting flange per EN 1092-1, DN 50, PN 40 or ASME B 16.5, NSP 2", Class 150



Connecting flange	Pressure gauge NS	Pressure gauge	Dimensions in mm							Additional weight in kg	
			d_5	k	d_4	b_1	f	G_1	$h \pm 2$	$h \pm 2$ Model 432.50	
EN DN 50 PN 40 ¹⁾	100	≤ 0.25 bar	165	125	102	54	3	4 x $\emptyset 18$	140	132	3.0
	160	≤ 0.25 bar	165	125	102	54	3	4 x $\emptyset 18$	170	162	3.0
	100	> 0.25 bar	165	125	102	30 ³⁾	3	4 x $\emptyset 18$	106	96	2.5
	160	> 0.25 bar	165	125	102	30 ³⁾	3	4 x $\emptyset 18$	136	126	2.5
ASME NSP 2" Class 150 ²⁾	100	≤ 0.25 bar	150	120.5	92	54	2	4 x $\emptyset 20$	140	132	2.4
	160	≤ 0.25 bar	150	120.5	92	54	2	4 x $\emptyset 20$	170	162	2.4
	100	> 0.25 bar	150	120.5	92	30 ³⁾	2	4 x $\emptyset 17$	106	96	1.9
	160	> 0.25 bar	150	120.5	92	30 ³⁾	2	4 x $\emptyset 17$	136	126	1.9

Other dimensions same as standard versions
(see appropriate specification sheet).

- 1) Matches to counter flange per EN 1092-1, form B2.
- 2) Raised Face.
- 3) Model 432.50: 26.5 mm

Modifications may take place and materials specified may be replaced by others without prior notice.
Specifications and dimensions given in this leaflet represent the state of engineering at the time of printing.



WIKAI Alexander Wiegand GmbH & Co. KG
 Alexander-Wiegand-Straße 30
 63911 Klingenberg/Germany
 Tel. (+49) 9372/132-0
 Fax (+49) 9372/132-406
 E-mail info@wika.de
 www.wika.de