

# Gas density switch For medium voltage Model GDS-MV

WIKA data sheet SP 60.32

## Applications

- Medium-voltage equipment
- Gas density monitoring of closed SF<sub>6</sub> gas tanks
- Ring main units (RMU)

## Special features

- Independent of atmospheric pressure and altitude
- No recalibration required



Gas density switch, model GDS-MV

## Description

Gas density is a crucial operating parameter for medium-voltage systems.

If the required gas density is not present, safe operation of the plant cannot be guaranteed.

The gas density measuring instruments from WIKA warn reliably against dangerously low gas quantities, even under extreme environmental conditions.

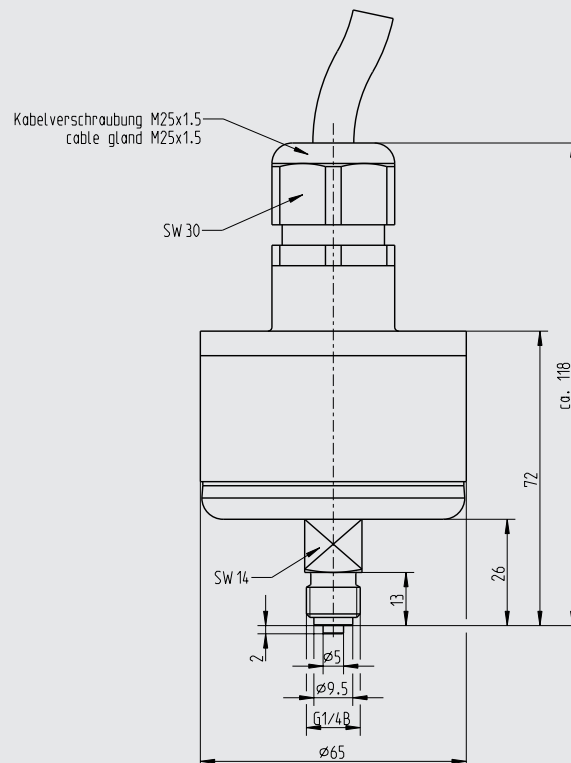
Electrical switch contacts warn the plant manager if the gas density, on account of a leak, drops below a specified value.

### Numerous fields of application

The WIKA gas density switches are hermetically sealed and temperature compensated. Measured value fluctuations and erroneous alarms caused by changes in either ambient temperature or air pressure are therefore prevented.

Specifications	
Max. pressure at 20 °C	5 bar abs.
Permissible ambient temperature	Operation: -20 ... +60 °C (gaseous phase) Storage: -40 ... +80 °C
Number of switch contacts	1 or 2
Switching function	Normally open or closed
Switching directions	Falling pressure or rising pressure
Switch points	Set to customer-specific value and secured
Minimum separation of switch points	50 mbar
Switch hysteresis	typically 50 mbar
Load data	5 A / AC 250 V, 50 Hz
Accuracy	≤ ±60 mbar (at 20 °C: ≤ ±40 mbar)
High-voltage test (internal wiring against case)	2 kV, 50 Hz, 1 s
Electrical connection	Cable ends, not terminated, length 0.3 m
Process connection	G ¼ B (EN 837), spanner width 14 mm, stainless steel Other connections and connection locations on request.
Pressure element	Stainless steel, welded Gas-tight: Leak rate ≤ 1 · 10 <sup>-8</sup> mbar · l / s Test method: Helium mass spectrometry
Case (reference chamber)	Stainless steel, blank, welded with measuring system Filling: SF <sub>6</sub> gas Leak tightness: Leak rate ≤ 1 · 10 <sup>-8</sup> mbar · l / s Test method: Helium mass spectrometry
Ingress protection	IP65 per EN 60529
Weight	approx. 0.4 kg
Compensation of gas mixtures	On request

## Dimensions in mm



## Ordering information

Model / Number of switch contacts / Switching function / Switching direction / Switch points

© 02/2009 WIKA Alexander Wiegand SE & Co. KG, all rights reserved.  
The specifications given in this document represent the state of engineering at the time of publishing.  
We reserve the right to make modifications to the specifications and materials.



**WIKAL Alexander Wiegand SE & Co. KG**  
Alexander-Wiegand-Straße 30  
63911 Klingenberg/Germany  
Tel. +49 9372 132-0  
Fax +49 9372 132-406  
info@wika.com  
www.wika.de