

Threaded resistance thermometer With protection tube Model TR10-C

WIKA data sheet TE 60.03



for further approvals
see page 2

Applications

- Machine building, plant and vessel construction
- Energy and power plant technology
- Chemical industry
- Food and beverage industry
- Sanitary, heating and air-conditioning technology

Special features

- Sensor ranges from -196 ... +600 °C [-320 ... +1.112 °F]
- With integrated fabricated protection tube
- Spring-loaded measuring insert (replaceable)
- Explosion-protected versions are available for many approval types (see page 2)



Model TR10-C with protection tube

Insertion length, process connection, protection tube design, connection head, type and number of sensors, accuracy and connection method can each be selected to suit the respective application.

A large number of different explosion-protected approvals are available for the TR10-C.

Optionally we can fit analogue or digital transmitters from the WIKA range into the connection head of the TR10-C.

Description

Resistance thermometers of this series are designed for screw-fitting directly into the process, mainly in vessels and pipelines.






These thermometers are suitable for liquid and gaseous media under moderate mechanical load and normal chemical conditions. The protection tube from stainless steel is fully welded and screwed into the connection head. The interchangeable measuring insert can be removed without taking out the complete sensor from the plant. This enables inspection, measuring equipment monitoring or, when servicing is necessary, replacement while the plant is running. The choice of standard lengths assists with short delivery times and the possibility of stocking spare parts.

Explosion protection (option)

The permissible power, P_{max} , as well as the permissible ambient temperature, for the respective category can be seen on the certificate for hazardous areas or in the operating instructions.

Transmitters have own certificates for hazardous areas. The permissible ambient temperature ranges of the built-in transmitters can be taken from the corresponding transmitter operating instructions and approvals.









Approvals (explosion protection, further approvals)

Logo	Description	Country
 	EU declaration of conformity <ul style="list-style-type: none"> ■ EMC directive ¹⁾ EN 61326 emission (group 1, class B) and interference immunity (industrial application) ■ RoHS directive ■ ATEX directive (option) Hazardous areas <ul style="list-style-type: none"> - Ex i Zone 0 gas II 1G Ex ia IIC T1 ... T6 Ga Zone 1 mounting to zone 0 gas II 1/2G Ex ia IIC T1 ... T6 Ga/Gb Zone 1 gas II 2G Ex ia IIC T1 ... T6 Gb Zone 20 dust II 1D Ex ia IIIC T125 ... T65 °C Da Zone 21 mounting to zone 20 dust II 1/2D Ex ia IIIC T125 ... T65 °C Da/Db Zone 21 dust II 2D Ex ia IIIC T125 ... T65 °C Db - Ex e ²⁾ Zone 1 gas II 2G Ex eb IIC T1 ... T6 Gb ³⁾ Zone 2 gas II 3G Ex ec IIC T1 ... T6 Gc X Zone 21 dust II 2D Ex tb IIIC TX °C Db ³⁾ Zone 22 dust II 3D Ex tc IIIC TX °C Dc X - Ex n ²⁾ Zone 2 gas II 3G Ex nA IIC T1 ... T6 Gc X Zone 22 dust II 3D Ex tc IIIC TX °C Dc X 	European Union
	IECEx (option) - in conjunction with ATEX Hazardous areas <ul style="list-style-type: none"> - Ex i Zone 0 gas Ex ia IIC T1 ... T6 Ga Zone 1 mounting to zone 0 gas Ex ia IIC T1 ... T6 Ga/Gb Zone 1 gas Ex ia IIC T1 ... T6 Gb Zone 20 dust Ex ia IIIC T125 ... T65 °C Da Zone 21 mounting to zone 20 dust Ex ia IIIC T125 ... T65 °C Da/Db Zone 21 dust Ex ia IIIC T125 ... T65 °C Db 	International
	EAC (option) Hazardous areas <ul style="list-style-type: none"> - Ex i Zone 0 gas 0Ex ia IIC T6 ... T1 Ga X Zone 1 gas 1Ex ia IIC T6 ... T1 Gb X Zone 20 dust Ex ia IIIC T80...T440 °C Da X Zone 21 dust Ex ia IIIC T80...T440 °C Db X - Ex n Zone 2 gas 2Ex nA IIC T6 ... T1 Gc X 	Eurasian Economic Community
	Ex Ukraine (option) Hazardous areas <ul style="list-style-type: none"> - Ex i Zone 0 gas II 1G Ex ia IIC T1 ... T6 Ga Zone 1 mounting to zone 0 gas II 1/2G Ex ia IIC T1 ... T6 Ga/Gb Zone 1 gas II 2G Ex ia IIC T1 ... T6 Gb Zone 20 dust II 1D Ex ia IIIC T65°C Da Zone 21 mounting to zone 20 dust II 1/2D Ex ia IIIC T65°C Da/Db Zone 21 dust II 2D Ex ia IIIC T65°C Db 	Ukraine



1) Only for built-in transmitter

2) Only for connection head model BSZ or BSZ-H (see "Connection head")

3) Without transmitter

Logo	Description	Country
	INMETRO (option) Hazardous areas - Ex i Zone 0 gas Ex ia IIC T3 ... T6 Ga Zone 1 mounting to zone 0 gas Ex ia IIC T3 ... T6 Ga/Gb Zone 20 dust Ex ia IIC T125 ... T65 °C Da Zone 21 mounting to zone 20 dust Ex ia IIC T125 ... T65 °C Da/Db	Brazil
	CCC (option) Hazardous areas - Ex i Zone 0 gas Ex ia IIC T1 ~ T6 Ga Zone 1 gas Ex ia IIC T1 ~ T6 Gb Zone 1 mounting to zone 0 gas Ex ia IIC T1 ~ T6 Ga/Gb Zone 2 gas Ex ic IIC T1 ~ T6 Gc Zone 20 dust Ex iaD 20 T65/T95/T125°C Zone 21 dust Ex iaD 21 T65/T95/T125°C Zone 21 mounting to zone 20 dust Ex iaD 20/21 T65/T95/T125°C - Ex n Zone 2 gas Ex nA IIC T1 ~ T6 Gc	China
	KCs - KOSHA (option) Hazardous areas - Ex i Zone 0 gas Ex ia IIC T4 ... T6 Zone 1 gas Ex ib IIC T4 ... T6	South Korea
-	PESO (option) Hazardous areas - Ex i Zone 0 gas Ex ia IIC T1 ... T6 Ga Zone 1 mounting to zone 0 gas Ex ia IIC T1 ... T6 Ga/Gb Zone 1 gas Ex ia IIC T1 ... T6 Gb	India
	GOST (option) Metrology, measurement technology	Russia
	KazInMetr (option) Metrology, measurement technology	Kazakhstan
-	MTSCHS (option) Permission for commissioning	Kazakhstan
	BelGIM (option) Metrology, measurement technology	Belarus
	UkrSEPRO (option) Metrology, measurement technology	Ukraine
	Uzstandard (option) Metrology, measurement technology	Uzbekistan

Manufacturer's information and certifications

Logo	Description
	SIL 2 Functional safety (only in conjunction with model T32 temperature transmitter)
	NAMUR NE 024 Hazardous areas (Ex i)

Instruments marked with "ia" may also be used in areas only requiring instruments marked with "ib" or "ic".
If an instrument with "ia" marking has been used in an area with requirements in accordance with "ib" or "ic", it can no longer be operated in areas with requirements in accordance with "ia" afterwards.

Approvals and certificates, see website

Sensor

Measuring element

Pt100, Pt1000 ¹⁾ (measuring current: 0.1 ... 1.0 mA) ²⁾

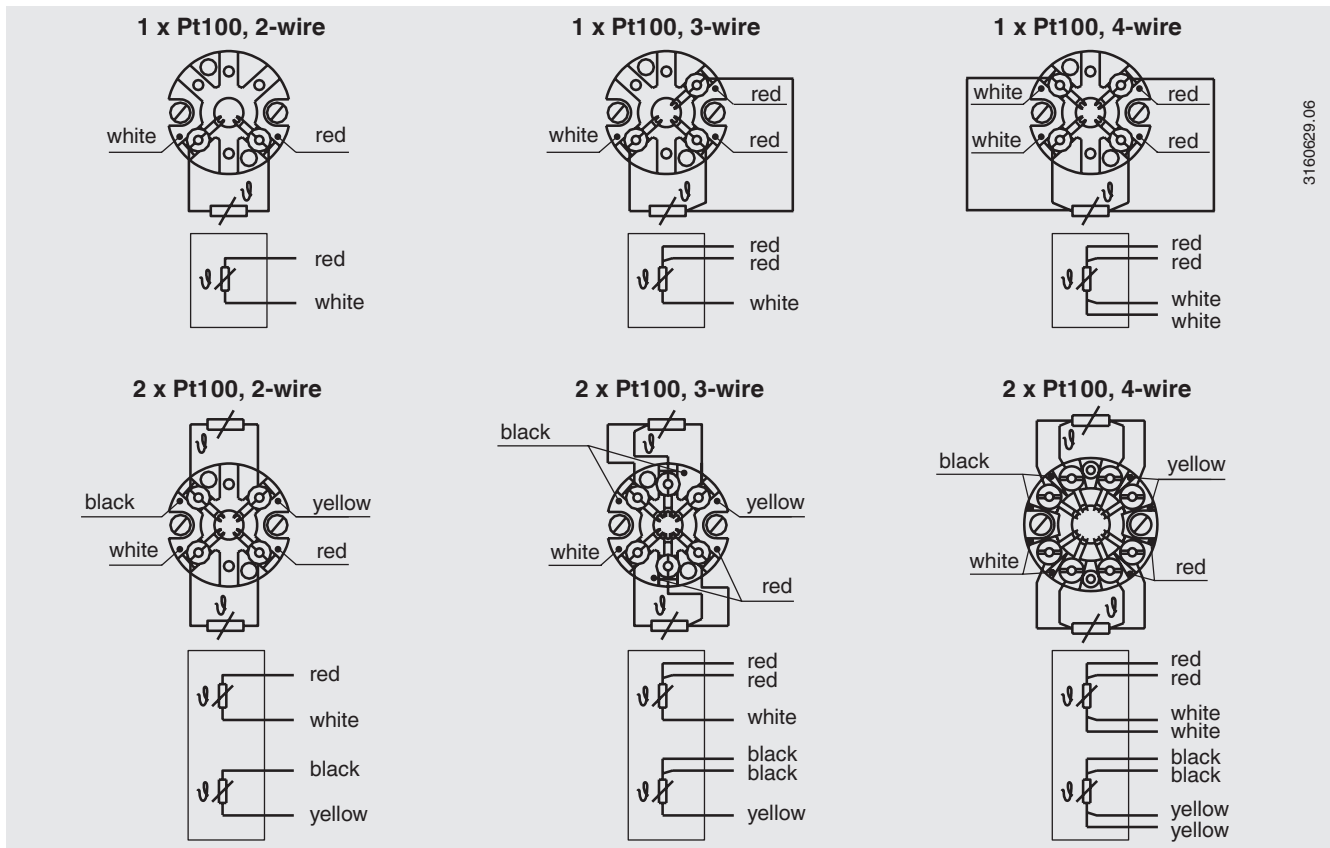
Connection method	
Single elements	1 x 2-wire 1 x 3-wire 1 x 4-wire
Dual elements	2 x 2-wire 2 x 3-wire 2 x 4-wire ³⁾

Validity limits of class accuracy per EN 60751		
Class	Sensor construction	
	Wire-wound	Thin-film
Class B	-196 ... +600 °C	-50 ... +500 °C
	-196 ... +450 °C	-50 ... +250 °C
Class A ⁴⁾	-100 ... +450 °C	-30 ... +300 °C
Class AA ⁴⁾	-50 ... +250 °C	0 ... 150 °C

- 1) Pt1000 only available as a thin-film measuring resistor
- 2) For detailed specifications for Pt100 sensors, see Technical information IN 00.17 at www.wika.com.
- 3) Not with 3 mm diameter
- 4) Not with 2-wire connection method

The table shows the temperature ranges listed in the respective standards, in which the tolerance values (class accuracies) are valid.

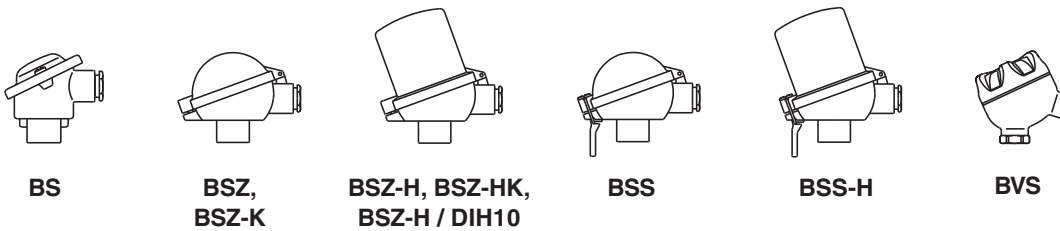
Electrical connection (colour code per IEC/EN 60751)



For the electrical connections of built-in temperature transmitters see the corresponding data sheets or operating instructions.

Connection head

■ European designs per EN 50446 / DIN 43735



Model	Material	Cable entry thread size	Ingress protection (max) ¹⁾ IEC/EN 60529	Cap	Surface	Connection to neck tube
BS	Aluminium	M20 x 1.5 or ½ NPT ³⁾	IP65 ⁴⁾	Flat cap with 2 screws	Blue, painted ⁵⁾	M24 x 1.5, ½ NPT
BSZ	Aluminium	M20 x 1.5 or ½ NPT ³⁾	IP65 ⁴⁾	Spherical hinged cover with cylinder head screw	Blue, painted ⁵⁾	M24 x 1.5, ½ NPT
BSZ-H	Aluminium	M20 x 1.5 or ½ NPT ³⁾	IP65 ⁴⁾	Raised hinged cover with cylinder head screw	Blue, painted ⁵⁾	M24 x 1.5, ½ NPT
BSZ-H (2x cable outlet)	Aluminium	2 x M20 x 1.5 or 2 x ½ NPT ³⁾	IP65 ⁴⁾	Raised hinged cover with cylinder head screw	Blue, painted ⁵⁾	M24 x 1.5
BSZ-H / DIH10²⁾	Aluminium	M20 x 1.5 or ½ NPT ³⁾	IP65	Raised hinged cover with cylinder head screw	Blue, painted ⁵⁾	M24 x 1.5, ½ NPT
BSS	Aluminium	M20 x 1.5 or ½ NPT ³⁾	IP65	Spherical hinged cover with clamping lever	Blue, painted ⁵⁾	M24 x 1.5, ½ NPT
BSS-H	Aluminium	M20 x 1.5 or ½ NPT ³⁾	IP65	Raised hinged cover with clamping lever	Blue, painted ⁵⁾	M24 x 1.5, ½ NPT
BVS	Stainless steel	M20 x 1.5 ³⁾	IP65	Precision-cast screw-on lid	Blank, electropolished	M24 x 1.5
BSZ-K	Plastic	M20 x 1.5 or ½ NPT ³⁾	IP65	Spherical hinged cover with cylinder head screw	Black	M24 x 1.5
BSZ-HK	Plastic	M20 x 1.5 or ½ NPT ³⁾	IP65	Raised hinged cover with cylinder head screw	Black	M24 x 1.5

Model	Explosion protection					
	without	Ex i (gas) Zone 0, 1, 2	Ex i (dust) Zone 20, 21, 22	Ex e (gas) Zone 1, 2	Ex t (dust) Zone 21, 22	Ex nA (gas) Zone 2
BS	x	x	x	-	-	-
BSZ	x	x	x	x ⁶⁾	x ⁶⁾	x ⁷⁾
BSZ-H	x	x	x	x ⁶⁾	x ⁶⁾	x ⁷⁾
BSZ-H (2x cable outlet)	x	x	x	x ⁶⁾	x ⁶⁾	x ⁷⁾
BSZ-H / DIH10¹⁾	x	x	-	-	-	-
BSS	x	x	-	-	-	-
BSS-H	x	x	-	-	-	-
BVS	x	x	-	-	-	-
BSZ-K	x	x	-	-	-	-
BSZ-HK	x	x	-	-	-	-

1) IP ingress protection of the connection head. The IP ingress protections of the complete instrument TR10-C must not inevitably correspond to the connection head.

2) LED display DIH10

3) Standard (others on request)

4) Ingress protections, which describe temporary or lasting submersion, available on request

5) RAL 5022

6) Only ATEX and CCC

7) Only ATEX, CCC and EAC-Ex

■ North American designs



KN4-A
KN4-P

Model	Material	Cable entry thread size	Ingress protection (max.) ¹⁾ IEC/EN 60529	Cover / Cap	Surface	Connection to neck tube
KN4-A	Aluminium	½ NPT or M20 x 1.5 ²⁾	IP65	Screw-on lid	Blue, painted ³⁾	M24 x 1.5, ½ NPT
KN4-P ⁴⁾	Polypropylene	½ NPT	IP65	Screw-on lid	White	½ NPT

Model	Explosion protection					
	without	Ex i (gas) Zone 0, 1, 2	Ex i (dust) Zone 20, 21, 22	Ex e (gas) Zone 1, 2	Ex t (dust) Zone 21, 22	Ex nA (gas) Zone 2
KN4-A	x	x	-	-	-	-
KN4-P ⁴⁾	x	-	-	-	-	-

1) IP ingress protection of the connection head. The IP ingress protections of the complete instrument TR10-C must not inevitably correspond to the connection head.

2) Standard (others on request)

3) RAL 5022

4) On request

Connection head with digital display



Connection head BSZ-H with LED display model DIH10
see data sheet AC 80.11

To operate the digital displays, a transmitter with a 4 ... 20 mA output is always required.

Cable entry



Standard



Plastic



Brass,
nickel-plated



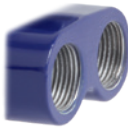
Stainless steel



Junction box,
M12 x 1 (4-pin)



Plain
threaded



2 x plain
threaded



Sealing plugs for
transport

The pictures show examples of connection heads.

Cable entry	Cable entry thread size	Min./max. ambient temperature
Standard cable entry ¹⁾	M20 x 1.5 or ½ NPT	-40 ... +80 °C
Plastic cable gland (cable Ø 6 ... 10 mm) ¹⁾	M20 x 1.5 or ½ NPT	-40 ... +80 °C
Plastic cable gland (cable Ø 6 ... 10 mm), Ex e ¹⁾	M20 x 1.5 or ½ NPT	-20 ... +80 °C (standard) -40 ... +70 °C (option)
Nickel-plated brass cable gland (cable Ø 6 ... 12 mm)	M20 x 1.5 or ½ NPT	-40 ... +80 °C
Stainless steel cable gland (cable Ø 7 ... 12 mm)	M20 x 1.5 or ½ NPT	-40 ... +80 °C
Plain threaded	M20 x 1.5 or ½ NPT	-
2 x M20 x 1.5 ²⁾	2 x M20 x 1.5	-
Junction box M12 x 1 (4-pin) ³⁾	M20 x 1.5	-40 ... +80 °C
Sealing plugs for transport	M20 x 1.5 or ½ NPT	-40 ... +80 °C

Cable entry	Colour	Ingress protection (max.) ⁴⁾ IEC/EN 60529	Explosion protection					
			without	Ex i (gas) Zone 0, 1, 2	Ex i (dust) Zone 20, 21, 22	Ex e (gas) Zone 1, 2	Ex t (dust) Zone 21, 22	Ex nA (gas) Zone 2
Standard cable entry ¹⁾	Blank	IP65	x	x	-	-	-	-
Plastic cable gland ¹⁾	Black or grey	IP66 ⁵⁾	x	x	-	-	-	-
Plastic cable gland, Ex e ¹⁾	Light blue	IP66 ⁵⁾	x	x	x	-	-	-
Plastic cable gland, Ex e ¹⁾	Black	IP66 ⁵⁾	x	x	x	x	x	x
Nickel-plated brass cable gland	Blank	IP66 ⁵⁾	x	x	x	-	-	-
Nickel-plated brass cable gland, Ex e	Blank	IP66 ⁵⁾	x	x	x	x	x	x
Stainless steel cable gland	Blank	IP66 ⁵⁾	x	x	x	-	-	-
Stainless steel cable gland, Ex e	Blank	IP66 ⁵⁾	x	x	x	x	x	x
Plain threaded	-	IP00	x	x	x ⁷⁾	x ⁷⁾	x ⁷⁾	x ⁷⁾
2 x M20 x 1.5 ²⁾	-	IP00	x	x	x ⁷⁾	x ⁷⁾	x ⁷⁾	x ⁷⁾
Junction box M12 x 1 (4-pin) ³⁾	-	IP65	x	x ⁶⁾	x ⁶⁾	-	-	-
Sealing plugs for transport	Transparent	-	not applicable, transport protection					

1) Not available for BVS connection head

2) Only for BSZ-H connection head

3) Not available for ½ NPT thread size cable entry

4) IP ingress protection of the cable gland. The IP ingress protections of the complete instrument TR10-C must not inevitably correspond to the cable gland.

5) Ingress protections, which describe temporary or continuous immersion, available on request

6) With appropriate mating connector connected

7) Suitable cable gland required for operation

Ingress protection per IEC/EN 60529

Degrees of protection against solid foreign bodies (defined by the first index number)

First index number	Degree of protection / short description	Test parameter
5	Dust-protected	per IEC/EN 60529
6	Dust-tight	per IEC/EN 60529

Degrees of protection against water (defined by the second index number)

Second index number	Degree of protection / short description	Test parameter
4	Protected against splash water	per IEC/EN 60529
5	Protected against water jets	per IEC/EN 60529
6	Protected against strong water jets	per IEC/EN 60529
7 ¹⁾	Protected against the effects of temporary immersion in water	per IEC/EN 60529
8 ¹⁾	Protected against the effects of continuous immersion in water	by agreement

1) Ingress protections, describing temporary or permanent immersion, on request

Standard ingress protection of model TR10-C is IP65.

The stated degrees of protection apply under the following conditions:

- Use of a suitable cable gland
- Use of a cable cross-section appropriate for the gland or select the appropriate cable gland for the available cable
- Adhere to the tightening torques for all threaded connections

Transmitter

Mounting onto the measuring insert

With mounting on the measuring insert, the transmitter replaces the terminal block and is fixed directly to the terminal plate of the measuring insert.

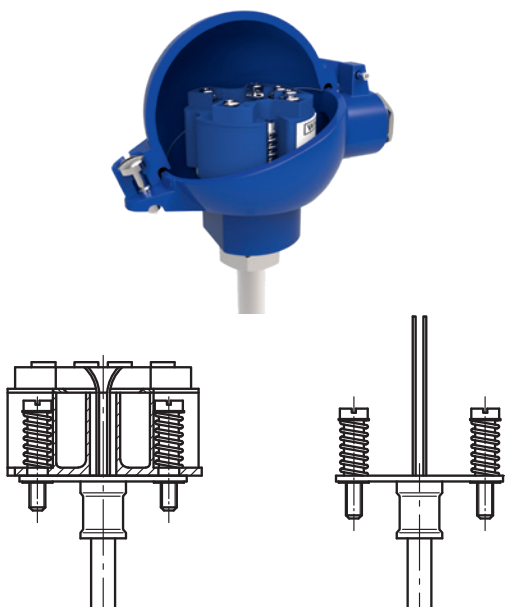


Fig. left: Measuring insert with mounted transmitter (here: model T32)
Fig. right: Measuring insert prepared for transmitter mounting

Mounted within the cap of the connection head

Mounting the transmitter in the cap of the connection head is preferable to mounting it on the measuring insert. With this type of mounting, for one, a better thermal insulation is ensured, and in addition, exchange and mounting for servicing is simplified.



Transmitter models

HART
COMMUNICATION PROTOCOL



Output signal 4 ... 20 mA, HART® protocol		
Transmitter (selectable versions)	Model T15	Model T32
Data sheet	TE 15.01	TE 32.04
Output		
4 ... 20 mA	x	x
HART® protocol	-	x
Connection method		
1 x 2-wire, 3-wire or 4-wire	x	x
Measuring current	< 0.2 mA	< 0.3 mA
Explosion protection	Optional	Optional

Possible mounting positions for transmitters

Connection head	T15	T32
BS	○	-
BSZ, BSZ-K	○	○
BSZ-H, BSZ-HK	●	●
BSZ-H (2x cable outlet)	●	●
BSZ-H / DIH10	○	○
BSS	○	○
BSS-H	●	●
BVS	○	○
KN4-A / KN4-P	○	○

○ Mounted instead of terminal block ● Mounted within the cap of the connection head – Mounting not possible

The mounting of a transmitter on the measuring insert is possible with all the connection heads listed here. The fitting of a transmitter in the (screw) cap of a North American design connection head is not possible.

Mounting of 2 transmitters on request.

For a correct determination of the overall measuring deviation, the sensor and transmitter measuring deviations must be added.

Functional safety (option) with temperature transmitter model T32



In safety-critical applications, the entire measuring chain must be taken into consideration in terms of the safety parameters. The SIL classification allows the assessment of the risk reduction reached by the safety installations.

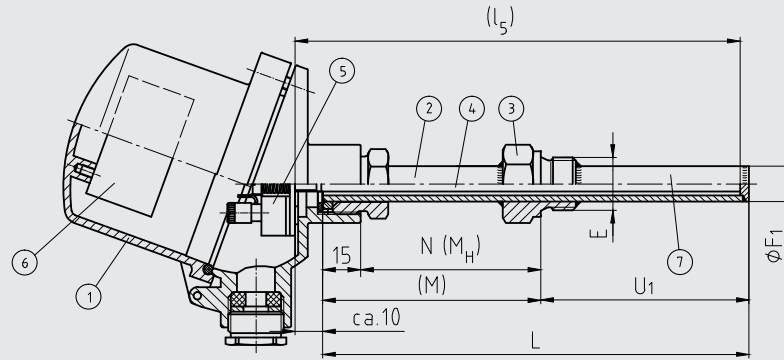
Selected TR10-C resistance thermometers, in combination with a suitable temperature transmitter (e.g. model T32.1S, TÜV certified SIL version for protection systems developed

in accordance with IEC 61508), are suitable as sensors for safety functions to SIL 2.

For detailed specifications, see Technical information IN 00.19 at www.wika.com.

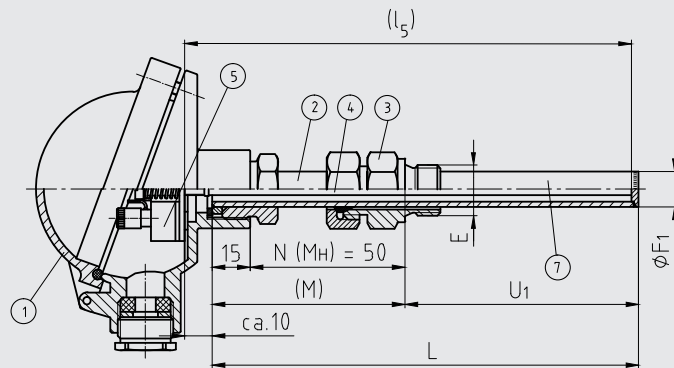
Components model TR10-C

Process connection: mounting thread, firmly welded



3175431.07

Process connection: compression fitting



Legend:

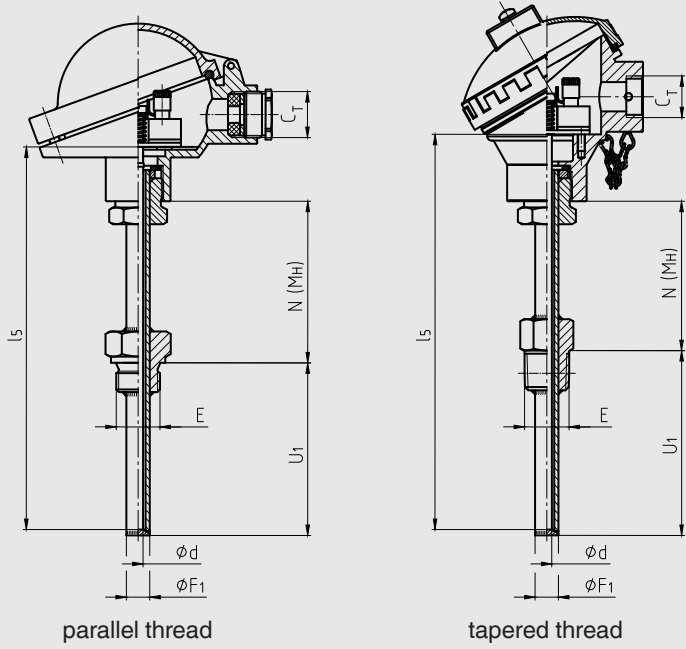
- | | |
|---------------------------------------|--|
| ① Connection head | (L) Overall length protection tube |
| ② Neck tube | l_5 Measuring insert length |
| ③ Process connection | U_1 Protection tube insertion length per DIN 43772 |
| ④ Measuring insert (TR10-A) | $\varnothing F_1$ Protection tube diameter |
| ⑤ Terminal block/transmitter (option) | E Mounting thread |
| ⑥ Transmitter (option) | N (M_H) Neck length |
| ⑦ Protection tube | (M) Neck tube length |

Fig. with parallel or tapered thread see chapter "Protection tube"

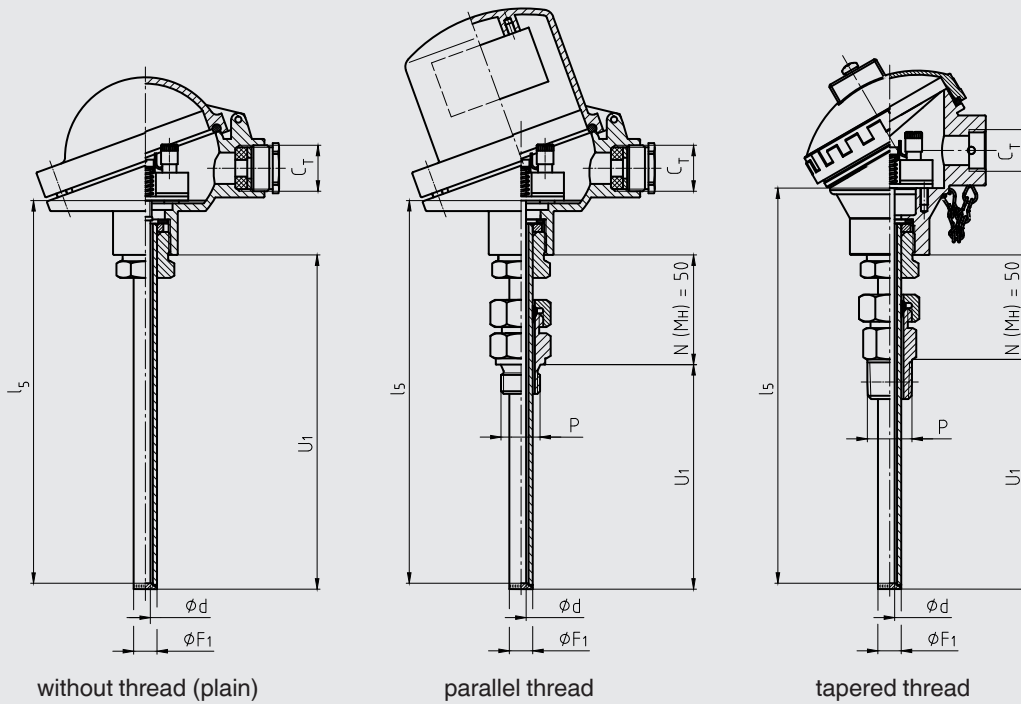
Protection tube

Protection tube designs

Protection tube straight, mounting thread, form 2G DIN 43772



Protection tube straight, plain, form 2 DIN 43772, with/without compression fitting

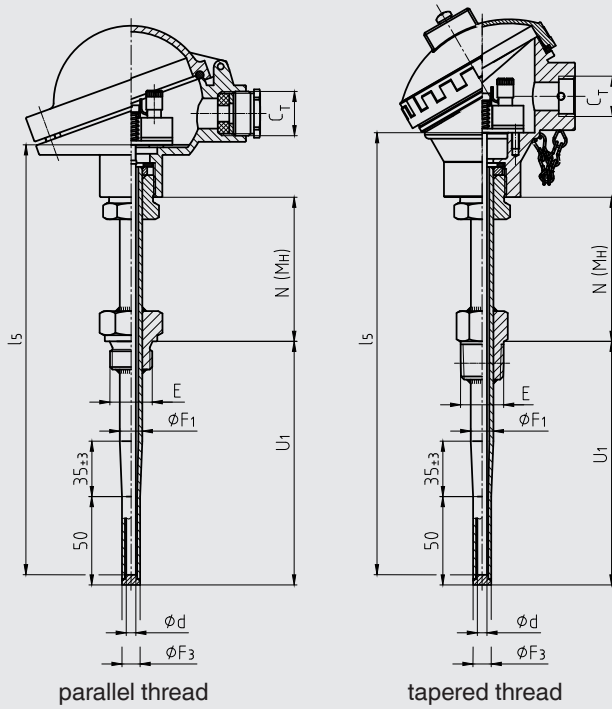


Legend:

- | | | | |
|---------------------|-------------------------|------------------|-------------------------------------|
| U ₁ | Insertion length | Ø F ₁ | Protection tube diameter |
| l _s | Measuring insert length | E | Mounting thread |
| N (M _H) | Neck length | Ø d | Measuring insert diameter |
| C _T | Thread cable entry | P | Compression fitting mounting thread |

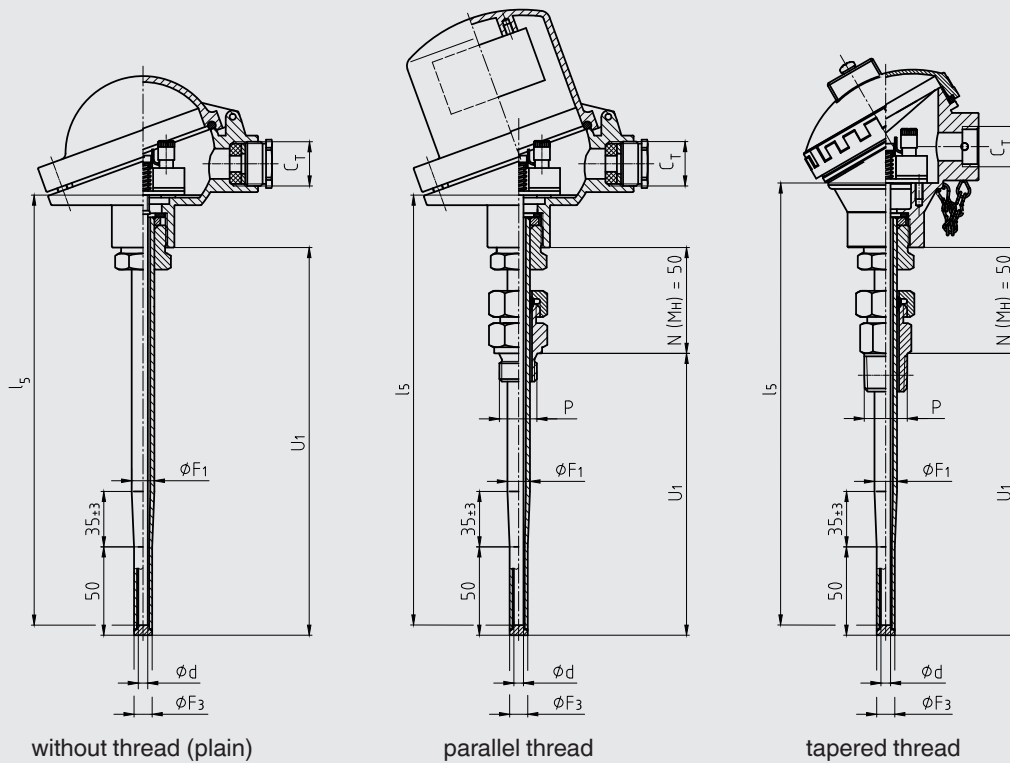
The pictures show examples of connection heads.

Protection tube tapered, mounting thread, form 3G DIN 43772



14126834.01

Protection tube tapered, plain, form 3 DIN 43772, with/without compression fitting



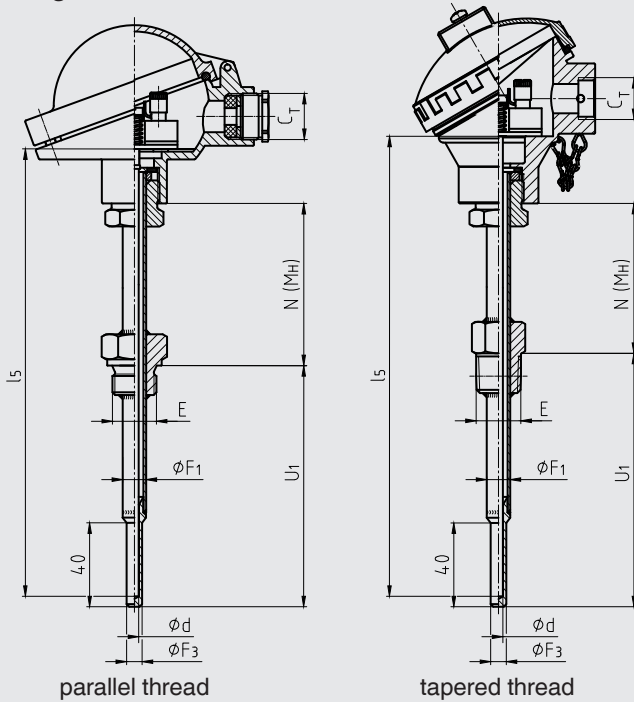
14126834.01

Legend:

- | | | | |
|------------------|--------------------------|------------------|-------------------------------------|
| U ₁ | Insertion length | Ø F ₃ | Diameter of protection tube tip |
| l ₅ | Measuring insert length | E | Mounting thread |
| N (MH) | Neck length | Ø d | Measuring insert diameter |
| C _T | Thread cable entry | P | Compression fitting mounting thread |
| Ø F ₁ | Protection tube diameter | | |

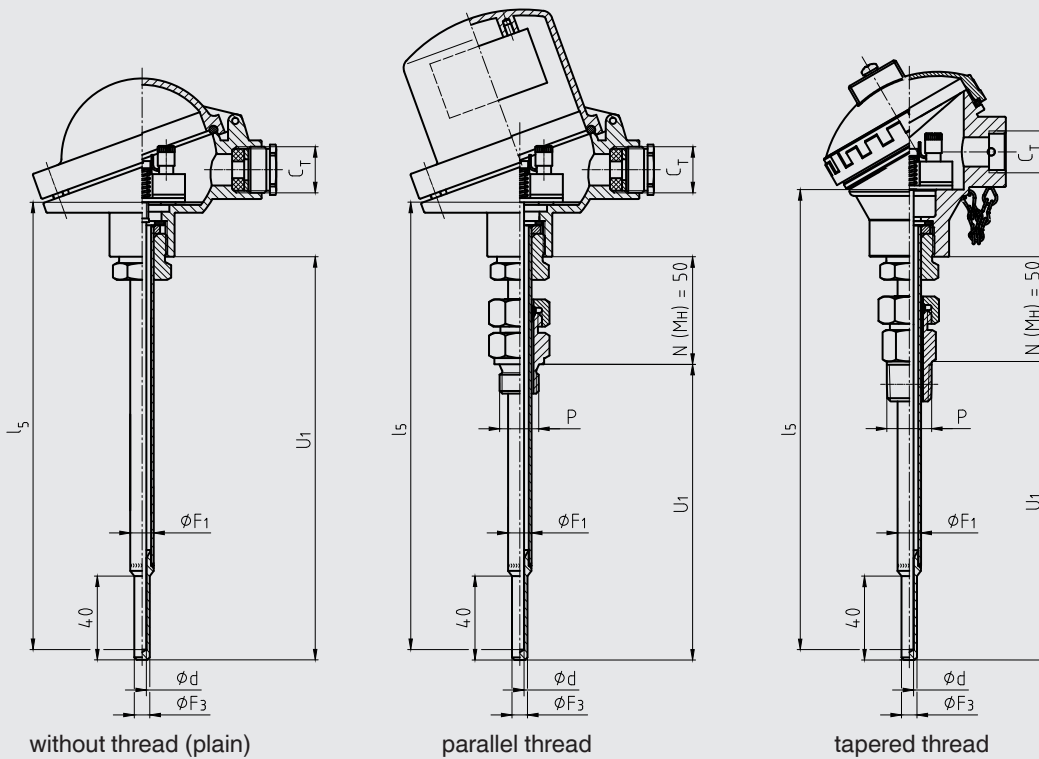
The pictures show examples of connection heads.

Protection tube tapered, weld-on solid tip, mounting thread, non-standard design



14126855.02

Protection tube tapered, weld-on solid tip, plain, with/without compression fitting



14126855.02

Legend:

- | | | | |
|-----------|-------------------------|-------------------|-------------------------------------|
| U_1 | Insertion length | $\varnothing F_1$ | Protection tube diameter |
| l_5 | Measuring insert length | $\varnothing F_3$ | Diameter of protection tube tip |
| $N (M_H)$ | Neck length | E | Mounting thread |
| K_E | 1/2 NPT: 8.13 mm | $\varnothing d$ | Measuring insert diameter |
| | 3/4 NPT: 8.61 mm | P | Compression fitting mounting thread |
| C_T | Thread cable entry | | |

The pictures show examples of connection heads.

Protection tube designs

The protection tubes are made of drawn tube with a welded bottom and are screwed into the connection head with a rotatable threaded connection (male nut). By loosening this male nut, the connection head - and thus the cable outlet - can be adjusted to the desired position. The process connection is welded on to customer specification at the factory. This determines the insertion length. Insertion lengths to DIN standards are preferable.

The immersion depth into the process medium should be at least 10 times the protection tube outer diameter.

For replacement requirements use model TW35 protection tube.

Protection tube per DIN 43772	Protection tube diameter	Process connection	Suitable for measuring insert diameter	Connection to head	Material	
Straight, form 2G, mounting thread	9 x 1 mm	G 1/4 B, mounting thread	6 mm	M24 x 1.5 (rotatable threaded connection, male nut)	1.4571	
		G 1/2 B, mounting thread				
		G 3/4 B, mounting thread				
		G 1 B, mounting thread				
		M18 x 1.5, mounting thread				
		M20 x 1.5, mounting thread				
		M27 x 2, mounting thread				
		1/2 NPT, mounting thread				
		3/4 NPT, mounting thread				
	11 x 2 mm 12 x 2.5 mm	G 1/2 B, mounting thread	6 mm			
		G 3/4 B, mounting thread				
		G 1 B, mounting thread				
		M18 x 1.5, mounting thread				
		M20 x 1.5, mounting thread				
		M27 x 2, mounting thread				
		1/2 NPT, mounting thread				
		3/4 NPT, mounting thread				
		14 x 2.5 mm				G 1/2 B, mounting thread
	G 3/4 B, mounting thread					
	G 1 B, mounting thread					
	M18 x 1.5, mounting thread					
	M20 x 1.5, mounting thread					
	M27 x 2, mounting thread					
	1/2 NPT, mounting thread					
	3/4 NPT, mounting thread					
	Tapered, form 3G, mounting thread		12 x 2.5 mm, tapered to 9 mm			G 1/2 B, mounting thread
		G 3/4 B, mounting thread				
G 1 B, mounting thread						
M18 x 1.5, mounting thread						
M20 x 1.5, mounting thread						
M27 x 2, mounting thread						
1/2 NPT, mounting thread						
3/4 NPT, mounting thread						
Straight, plain, form 2, with/without compression fitting		9 x 1 mm 11 x 2 mm 12 x 2.5 mm		G 1/2 B compression fitting (metal ferrule)	6 mm	
	1/2 NPT compression fitting (metal ferrule)					
	Without threaded connection, plain					
Tapered, plain, form 3, with/without compression fitting	12 x 2.5 mm, tapered to 9 mm	G 1/2 B compression fitting (metal ferrule)	6 mm			
		1/2 NPT compression fitting (metal ferrule)				
		Without threaded connection, plain				

other versions on next page

Tapered protection tube, non-standard	Protection tube diameter	Process connection	Suitable for measuring insert diameter	Connection to head	Material				
Tapered, weld-on solid tip, mounting thread	9 x 1 mm, tapered to 6 mm	G 1/4 B, mounting thread	3 mm	M24 x 1.5 (rotatable threaded connection, male nut)	1.4571				
		G 1/2 B, mounting thread							
		G 3/4 B, mounting thread							
		G 1 B, mounting thread							
		M18 x 1.5, mounting thread							
		M20 x 1.5, mounting thread							
		M27 x 2, mounting thread							
		1/2 NPT, mounting thread							
		3/4 NPT, mounting thread							
	11 x 2 mm, tapered to 6 mm 12 x 2.5 mm, tapered to 6 mm	G 1/2 B, mounting thread							
		G 3/4 B, mounting thread							
		G 1 B, mounting thread							
		M14 x 1.5, mounting thread							
		M18 x 1.5, mounting thread							
		M20 x 1.5, mounting thread							
		1/2 NPT, mounting thread							
		3/4 NPT, mounting thread							
		Tapered, weld-on solid tip, plain, with/without compression fitting				9 x 1 mm, tapered to 6 mm 11 x 2 mm, tapered to 6 mm 12 x 2.5 mm, tapered to 6 mm	G 1/2 B compression fitting (metal ferrule)	1/2 NPT compression fitting (metal ferrule)	Without threaded connection, plain
							1/2 NPT compression fitting (metal ferrule)		
Without threaded connection, plain									

Straight protection tube, non-standard	Protection tube diameter	Process connection	Suitable for measuring insert diameter	Connection to head	Material
Straight, mounting thread	6 x 1 mm 8 x 1 mm	G 1/4 B, mounting thread	3 mm	M24 x 1.5 (rotatable threaded connection, male nut)	1.4571 316L (8 x 1 mm)
		G 1/2 B, mounting thread			
		M18 x 1.5, mounting thread			
		M20 x 1.5, mounting thread			
		1/2 NPT, mounting thread			
	10 x 1 mm 10 x 1.5 mm	G 1/2 B, mounting thread	6 mm		316L
		G 3/4 B, mounting thread			
		G 1 B, mounting thread			
		M18 x 1.5, mounting thread			
		M20 x 1.5, mounting thread			
		M27 x 2, mounting thread			
		1/2 NPT, mounting thread			
	12 x 1 mm 12 x 1.5 mm	G 1/2 B, mounting thread	8 mm (6 mm with sleeve)		316L
		G 3/4 B, mounting thread			
		G 1 B, mounting thread			
		M18 x 1.5, mounting thread			
		M20 x 1.5, mounting thread			
		M27 x 2, mounting thread			
		1/2 NPT, mounting thread			
3/4 NPT, mounting thread					

other versions on next page

Straight protection tube, non-standard	Protection tube diameter	Process connection	Suitable for measuring insert diameter	Connection to head	Material
Straight, plain, with/without compression fitting	6 x 1 mm 8 x 1 mm	G 1/2 B compression fitting (metal ferrule)	3 mm	M24 x 1.5 (rotatable threaded connection, male nut)	1.4571 316L (8 x 1 mm)
		1/2 NPT compression fitting (metal ferrule)			
		Without threaded connection, plain			
	9 x 1 mm 10 x 1 mm 10 x 1.5 mm 12 x 1 mm 12 x 1.5 mm	G 1/2 B compression fitting (metal ferrule)	6 mm		1.4571 (9 x 1 mm) 316L
		1/2 NPT compression fitting (metal ferrule)			
		Without threaded connection, plain			

Insertion lengths

Protection tube design	Standard insertion length	Min./max. insertion length
Straight, mounting thread, form 2G DIN 43772	160, 250, 400 mm	50 mm / 4,000 mm
Tapered, mounting thread, form 3G DIN 43772	160, 220, 280 mm	110 mm / 4,000 mm
Straight, plain, with/without compression fitting, form 2 DIN 43772	-	50 mm / 4,000 mm
Tapered, plain, with/without compression fitting, form 3 DIN 43772	-	110 mm / 4,000 mm
Tapered, weld-on solid tip, mounting thread, non-standard design	160, 250, 400 mm	75 mm / 4,000 mm
Tapered, plain, weld-on solid tip, with/without compression fitting, non-standard design	-	75 mm / 4,000 mm

Neck lengths

Protection tube design	Standard neck length	Min./max. neck length
Straight, mounting thread, form 2G DIN 43772	130 mm	30 mm / 1,000 mm
Tapered, mounting thread, form 3G DIN 43772	132 mm	30 mm / 1,000 mm
Straight, plain, with compression fitting, form 2 DIN 43772	50 mm	50 mm
Straight, plain, without compression fitting, form 2 DIN 43772	-	-
Tapered, plain, with compression fitting, form 3 DIN 43772	50 mm	50 mm
Tapered, plain, without compression fitting, form 3 DIN 43772	-	-
Tapered, weld-on solid tip, mounting thread, non-standard design	130 mm	30 mm / 1,000 mm
Tapered, weld-on solid tip, with compression fitting, non-standard design	50 mm	50 mm
Tapered, weld-on solid tip, without process connection, non-standard design	-	-

The neck tube is screwed into the connection head. The neck length depends on the intended use. Usually an isolation is bridged by the neck tube. Also, in many cases, the neck tube serves as a cooling extension between the connection head and the medium, in order to protect any possible built-in transmitter from high medium temperatures.

Other versions on request

Measuring insert

Within the TR10-C, the measuring insert of model TR10-A is fitted.

The replaceable measuring insert is made of a vibration-resistant, sheathed measuring cable (MI cable).



Fig. left: standard version

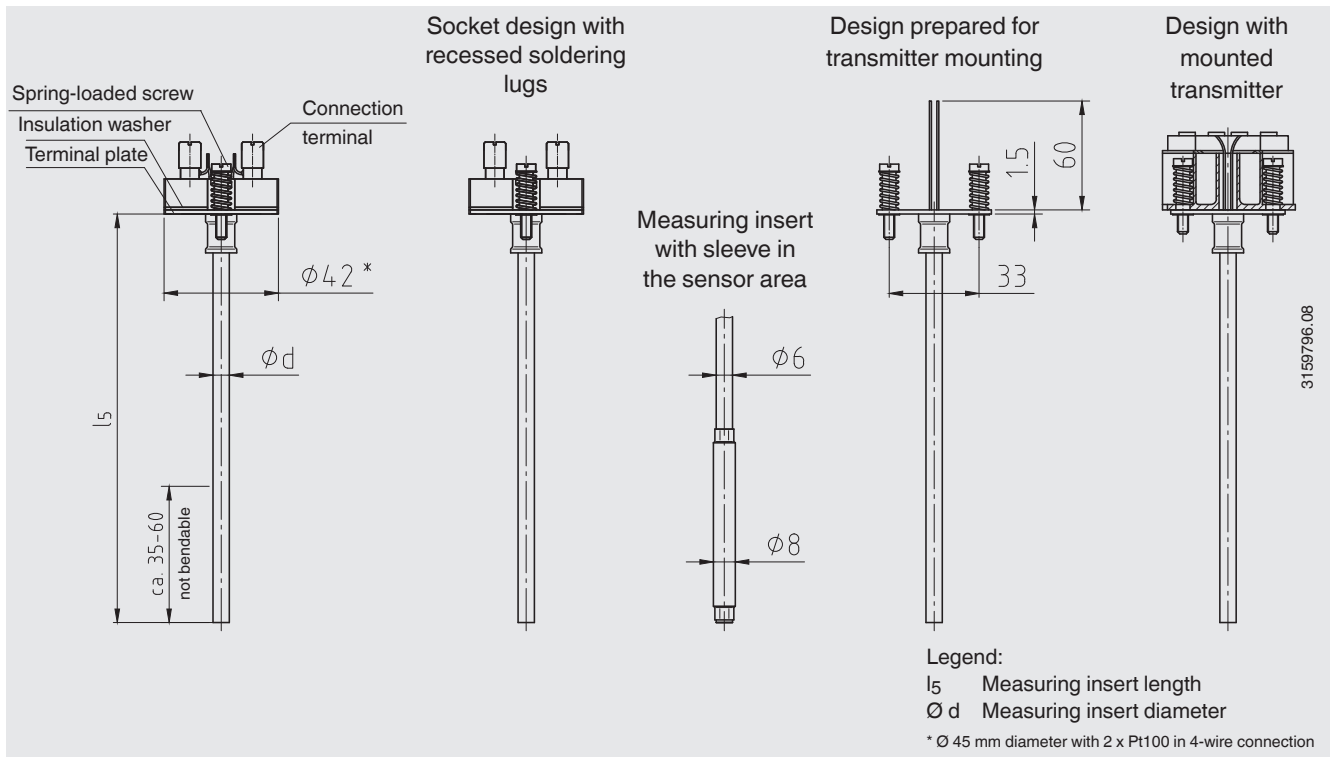
Fig. right: Version with recessed soldering lugs (option)

Only correct measuring insert length and correct measuring insert diameter ensure sufficient heat transfer from protection tube to the measuring insert.

The bore diameter of the protection tube should be a max. 1 mm larger than the measuring insert diameter. Gaps of more than 0.5 mm between protection tube and the measuring insert will have a negative effect on the heat transfer, and they will result in unfavourable response behaviour of the thermometer.

When fitting the measuring insert into a protection tube, it is very important to determine the correct insertion length (= protection tube length for bottom thicknesses of ≤ 5.5 mm). In order to ensure that the measuring insert is firmly pressed down onto the bottom of the protection tube, the measuring insert must be spring-loaded (spring travel: max 10 mm).

Dimensions in mm



Measuring insert diameter $\varnothing d$ in mm	Index per DIN 43735	Tolerance in mm	Sheath material	
			Standard design	Recessed soldering lugs
3	Standard	3 ± 0.05	1.4571, 316L	1.4571
6	Standard	6 $\begin{smallmatrix} 0 \\ -0.1 \end{smallmatrix}$	1.4571, 316L	1.4571
8 (6 mm with sleeve)	Standard	8 $\begin{smallmatrix} 0 \\ -0.1 \end{smallmatrix}$	1.4571	1.4571
8	Standard	8 $\begin{smallmatrix} 0 \\ -0.1 \end{smallmatrix}$	1.4571, 316L	1.4571

Operating conditions

Mechanical requirements

Version	
Standard	6 g peak-to-peak, wire-wound measuring resistor or thin film
Option	Vibration-resistant sensor tip, max. 20 g peak-to-peak, thin-film measuring resistor
	Highly vibration-resistant sensor tip, max. 50 g peak-to-peak, thin-film measuring resistor

The information on the vibration resistance refers to the tip of the measuring insert.

For detailed specifications for vibration resistance of Pt100 sensors, see Technical information IN 00.17 at www.wika.com.

Max. process temperature, process pressure

Depending on:

- Load diagram DIN 43772
- Protection tube design
 - Dimensions
 - Material
- Process conditions
 - Flow rate
 - Medium density

Ambient and storage temperature

-40 ... +80 °C

Other ambient and storage temperatures on request

Thermowell calculation

With critical operating conditions, a thermowell calculation in accordance with Dittrich/Klotter is recommended as a WIKA engineering service.

Note: ASME PTC 19.3 TW-2016 is not applicable for the TR10-C.

For further information, see Technical information IN 00.15 "Strength calculation for thermowells".

Certificates (option)

Certification type	Measurement accuracy	Material certificate ¹⁾
2.2 test report	x	x
3.1 inspection certificate	x	x
DKD/DAkkS calibration certificate	x	-

1) Protection tubes

The different certifications can be combined with each other.

For calibration, the measuring insert is removed from the thermometer. The minimum length (metal part of the probe) for carrying out a measurement accuracy test 3.1 or DKD/DAkkS is 100 mm.

Calibration of shorter lengths on request.

Ordering information

Model / Explosion protection / Further approvals, certificates / Sensor / Accuracy class, range of use of the sensor / Connection housing / Cable entry / Transmitter / Connection to neck tube / Protection tube / Protection tube diameter / Process connection / Protection tube material / Insertion length / Neck length / Certificates / Options

© 04/2003 WIKA Alexander Wiegand SE & Co. KG, all rights reserved.
The specifications given in this document represent the state of engineering at the time of publishing.
We reserve the right to make modifications to the specifications and materials.

