

Magnetostrictive level transmitter for hazardous areas,
models FLM-CAI, FLM-TAI, BLM-TAI

EN

Magnetostruktiv-Füllstandstransmitter für explosionsgefährdete
Bereiche, Typen FLM-CAI, FLM-TAI, BLM-TAI

DE



Mounting flange, spherical float from stainless steel, model FLM-CAI

EN	Operating instructions models FLM-CAI, FLM-TAI, BLM-TAI (Ex)	Page	3 - 36
DE	Betriebsanleitung Typen FLM-CAI, FLM-TAI, BLM-TAI (Ex)	Seite	37 - 70

© 09/2019 WIKA Alexander Wiegand SE & Co. KG
 All rights reserved. / Alle Rechte vorbehalten.
 WIKA® is a registered trademark in various countries.
 WIKA® ist eine geschützte Marke in verschiedenen Ländern.

Prior to starting any work, read the operating instructions!
 Keep for later use!

Vor Beginn aller Arbeiten Betriebsanleitung lesen!
 Zum späteren Gebrauch aufbewahren!

Contents

1. General information	5
2. Design and function	5
2.1 Description	5
2.2 Model overview	6
2.3 Construction and principle of operation	7
2.4 Scope of delivery	8
3. Safety	9
3.1 Explanation of symbols	9
3.2 Intended use	9
3.3 Improper use	10
3.4 Responsibility of the operator	10
3.5 Personnel qualification	11
3.6 Personal protective equipment	11
3.7 Labelling, safety marks	12
3.8 Ex marking	12
4. Transport, packaging and storage	13
4.1 Transport	13
4.2 Packaging and storage	13
5. Commissioning, operation	14
5.1 Mounting	14
5.1.1 “Screw-in body” version	16
5.1.2 “Flange” version	17
5.1.3 “Mounting on bypass” version	17
5.2 Electrical connection	19
5.2.1 Connection diagram (Ex)	19
5.2.2 Cable length	20
5.2.3 Wiring with cable gland	21
5.2.4 Wiring with M12 connector	22
5.3 Adjustment	24
5.3.1 Measuring span on the level transmitter	24
5.3.2 Current supply in error mode	25
6. Safety-related characteristic values	26
7. Faults	28

8. Maintenance and cleaning	30
8.1 Maintenance	30
8.2 Cleaning	30
9. Dismounting, return and disposal	31
9.1 Dismounting	31
9.2 Return.	31
9.3 Disposal	31
10. Specifications	32
10.1 Model FLM-CAI	32
10.2 Model FLM-TAI	33
10.3 Model BLM-TAI	34
10.4 Float.	34
Annex: EU declaration of conformity	36

Declarations of conformity can be found online at www.wika.com.

1. General information

- The magnetostrictive level transmitters described in the operating instructions have been designed and manufactured using state-of-the-art technology. All components are subject to stringent quality and environmental criteria during production. Our management systems are certified to ISO 9001.
- These operating instructions contain important information on handling the instrument. Working safely requires that all safety instructions and work instructions are observed.
- Observe the relevant local accident prevention regulations and general safety regulations for the instrument's range of use.
- The operating instructions are part of the product and must be kept in the immediate vicinity of the instrument and readily accessible to skilled personnel at any time. Pass the operating instructions on to the next operator or owner of the instrument.
- Skilled personnel must have carefully read and understood the operating instructions prior to beginning any work.
- The general terms and conditions contained in the sales documentation shall apply.
- Subject to technical modifications.
- Further information:
 - Internet address: www.wika.de / www.wika.com
 - Relevant data sheet: LM 20.04 (FLM-CAI)
LM 20.01 (FLM-TAI)
LM 10.05 (BLM-TAI)

2. Design and function

2.1 Description

The model FLM-CAI (with guide tube Ø 6 mm) and model FLM-TAI (with guide tube Ø 12 mm) high-accuracy level transmitters are used for the continuous measurement of the level of liquid media in vessels. The measurement procedure used exploits the physical effect of magnetostriction and is largely independent of the temperature. It is used, especially, where very precise level measurements are required, such as in the chemical industry.

In these operating instructions, the FLM is described with cable connection on the side of the probe head. As cable connection, an M12 cable gland (also with M16 adapter), an M12 connector or an M20 or ½ NPT female thread are possible. As a further variant, there is an FLM with an M12 connector on the probe head cover. Model BLM-TAI can be used for mounting to bypass chambers.

2. Design and function

The level transmitter emits a 4 ... 20 mA output signal, which is configured via buttons within the probe head, or a digital output signal as HART® protocol.

Probe lengths of 100 mm to 6 m, as “Flex version” up to 10 m, and also various temperature and pressure ranges are possible.

Available versions:

- With screw-in body, welded or for step-free positioning
- With flange process connection
- For mounting on a bypass with magnetic float
- With 90° angled probe head
- With 6 mm guide tube
- With 6 mm guide tube and short cable bushing
- With 12 mm guide tube

This level transmitter with ATEX and IECEx approval can be installed in hazardous areas that require electrical equipment of equipment protection level Ga (zone 0), equipment protection level Ga/Gb (zone 0/1) or equipment protection level Gb (zone 1).

The instrument is designed in accordance with the following European standards:

EN IEC 60079-0:2018 Equipment – General requirements

EN 60079-11:2012 Device protection through intrinsic safety “i”

EN 60079-26:2015 Equipment of equipment protection level (EPL) Ga

2.2 Model overview

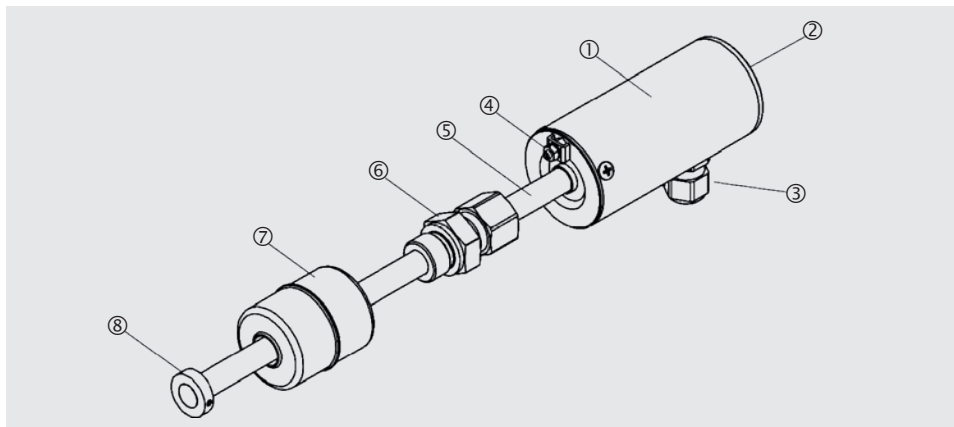
Model	Guide tube diameter in mm	Installation type
FLM-CAI	6	Direct installation
FLM-TAI	12	Direct installation
BLM-TAI	12	Bypass mounting

2.3 Construction and principle of operation

The construction of the level transmitter is illustrated in the version with screw-in body. In the probe head ① of the level transmitter are located the connection terminals and the adjustment buttons protected by the cover ②. The electrical connection is made via an M16 x 1.5 cable gland ③ or M12 plug connection on the top of the probe head and the ground connection ④ at the bottom of the probe head (see chapter 5.1 "Mounting" and 5.3 "Adjustment").

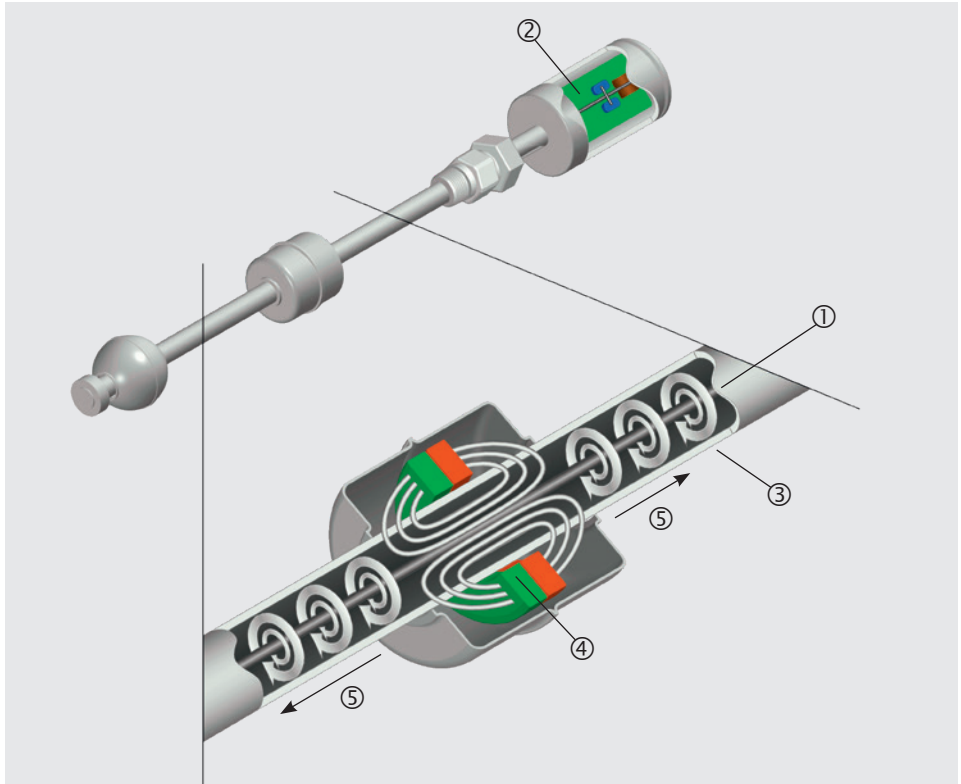
On the guide tube ⑤, for highly-adjustable mounting in the vessel, there is a screw-in body ⑥ (compression fitting) or, for fixed mounting, a flange (not shown). The float ⑦ is used for the continuous measurement of the product filling height or interface layer and is held on the guide tube by an adjusting collar ⑧.

The "BLM for bypass mounting" version is delivered without process connection and float.



2. Design and function

The measurement procedure shown in the following figure exploits the physical effect of magnetostriction and is largely independent of the temperature. In the guide tube, a wire ① from magnetostrictive material is stretched. Via the sensor electronics, current pulses ② are sent through the wire, which generate a circular magnetic field ③. A magnet ④, which is built into the float, acts as the level pick-up. Its magnetic field magnetises the wire axially. Through the interference of the two magnetic fields, in the area of the float magnet, a torsion wave ⑤ is generated, which runs in both directions along the wire. One wave runs directly to the probe head, the other is reflected off the lower end of the guide tube. The time between the sending of the current pulse and the arrival of the wave at the probe head is measured. From the time elapsed, the float position is determined.



2.4 Scope of delivery

Cross-check scope of delivery with delivery note.

3. Safety

3.1 Explanation of symbols

**DANGER!**

... indicates a directly dangerous situation resulting in serious injury or death, if not avoided.

**WARNING!**

... indicates a potentially dangerous situation that can result in serious injury or death, if not avoided.

**CAUTION!**

... indicates a potentially dangerous situation that can result in light injuries or damage to property or the environment, if not avoided.

**DANGER!**

... indicates a potentially dangerous situation in the hazardous area that can result in serious injury or death, if not avoided.

**Information**

... points out useful tips, recommendations and information for efficient and trouble-free operation.

3.2 Intended use

Magnetostrictive level transmitters are used exclusively for the continuous measurement of the level of liquid media in vessels.

The level transmitters are designed as intrinsically safe equipment and are suitable for use in hazardous areas. All level transmitters can be used for all gases of group IIA, IIB and IIC. In addition, all level transmitters may be used for the dust groups IIIA, IIIB and IIIC.

If a non-conductive plastic float is to be used in hazardous areas with gases of group IIC, the danger due to static charging must be prevented. Observe the following conditions:

- The float must not be used in strongly flowing, non-conductive liquids.
- There must be no stirrer in the tank.
- Frictions on non-conductive components must be avoided.
- The float must not be cleaned dry.

3. Safety

The instrument has been designed and built solely for the intended use described here, and may only be used accordingly.

The manufacturer shall not be liable for claims of any type based on operation contrary to the intended use.

3.3 Improper use

Improper use is defined as any application that exceeds the technical performance limits.



WARNING!

Injuries through improper use

Improper use of the instrument can lead to hazardous situations and injuries.

- ▶ Refrain from unauthorised modifications to the instrument.

Any use beyond or different to the intended use is considered as improper use.

Do not use this instrument in safety or emergency stop devices.

3.4 Responsibility of the operator

The instrument is used in the industrial sector. The operator is therefore responsible for legal obligations regarding safety at work.

The safety instructions within these operating instructions, as well as the safety, accident prevention and environmental protection regulations for the application area must be maintained.

To ensure safe working on the instrument, the operating company must ensure:

- that suitable first-aid equipment is available and aid is provided whenever required.
- that the operating personnel are regularly instructed in all topics regarding work safety, first aid and environmental protection and know the operating instructions and, in particular, the safety instructions contained therein.
- that the instrument is suitable for the particular application in accordance with its intended use.

3.5 Personnel qualification



WARNING!

Risk of injury should qualification be insufficient

Improper handling can result in considerable injury and damage to property.

- ▶ The activities described in these operating instructions may only be carried out by skilled personnel who have the qualifications described below.

Skilled personnel

Skilled personnel, authorised by the operator, are understood to be personnel who, based on their technical training, knowledge of measurement and control technology and on their experience and knowledge of country-specific regulations, current standards and directives, are capable of carrying out the work described and independently recognising potential hazards.

Special knowledge for working with instruments for hazardous areas:

The skilled personnel must have knowledge of ignition protection types, regulations and provisions for equipment in hazardous areas.

Special operating conditions require further appropriate knowledge, e.g. of aggressive media.

3.6 Personal protective equipment

The personal protective equipment is designed to protect the skilled personnel from hazards that could impair their safety or health during work. When carrying out the various tasks on and with the instrument, the skilled personnel must wear personal protective equipment.

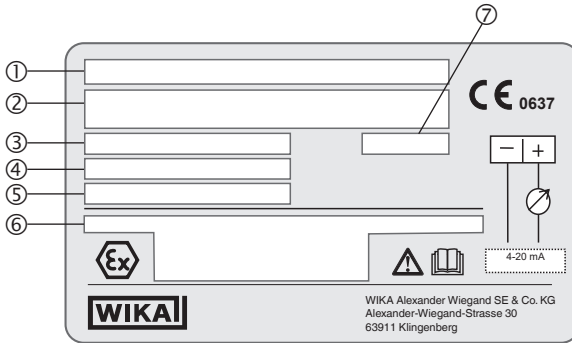
Follow the instructions displayed in the work area regarding personal protective equipment!

The requisite personal protective equipment must be provided by the operating company.

3. Safety

3.7 Labelling, safety marks

Product label



- ① Model
- ② Model code
- ③ Serial number
- ④ Article number
- ⑤ Tag no.
- ⑥ Ex-relevant data
- ⑦ Year of manufacture



Before mounting and commissioning the instrument, ensure you read the operating instructions!

3.8 Ex marking



DANGER!

Danger to life due to loss of explosion protection

Non-observance of these instructions and their contents may result in the loss of explosion protection.

- ▶ Observe the safety instructions in this chapter and further explosion instructions in these operating instructions.
- ▶ Observe the information given in the applicable type examination certificate and the relevant country-specific regulations for installation and use in hazardous areas (in Germany these are the explosion protection ordinance (ExVo), the operational safety ordinance (BetrSichV), the product safety act and the special requirements of the EC-type examination certificate).

Check whether the classification is suitable for the application. Observe the relevant national regulations.

3. Safety / 4. Transport, packaging and storage

ATEX IECEx

II 1G	Ex ia IIC T6 ... T4 Ga
II 1/2G	Ex ia IIC T6 ... T4 Ga/Gb
II 2G	Ex ia IIC T6 ... T4 Gb
II 1D	Ex ia IIIC T160 °C Da

Special conditions for use (X conditions)

1. When using titanium floats, the risk of ignition due to impact or friction shall be avoided.
2. When using plastic floats, there is a danger of ignition due to electrostatic discharge.

4. Transport, packaging and storage

4.1 Transport

Check the instrument for any damage that may have been caused by transport. Obvious damage must be reported immediately.



CAUTION!

Damage through improper transport

With improper transport, a high level of damage to property can occur.

- ▶ When unloading packed goods upon delivery as well as during internal transport, proceed carefully and observe the symbols on the packaging.
- ▶ With internal transport, observe the instructions in chapter 5.2 "Packaging and storage".

4.2 Packaging and storage

Do not remove packaging until just before mounting.

Keep the packaging as it will provide optimum protection during transport (e.g. change in installation site, sending for repair).

5. Commissioning, operation



DANGER!

Danger to life from explosion!

Through working in flammable atmospheres, there is a risk of explosion which can cause death.

- ▶ Only carry out set-up work in non-hazardous environments!



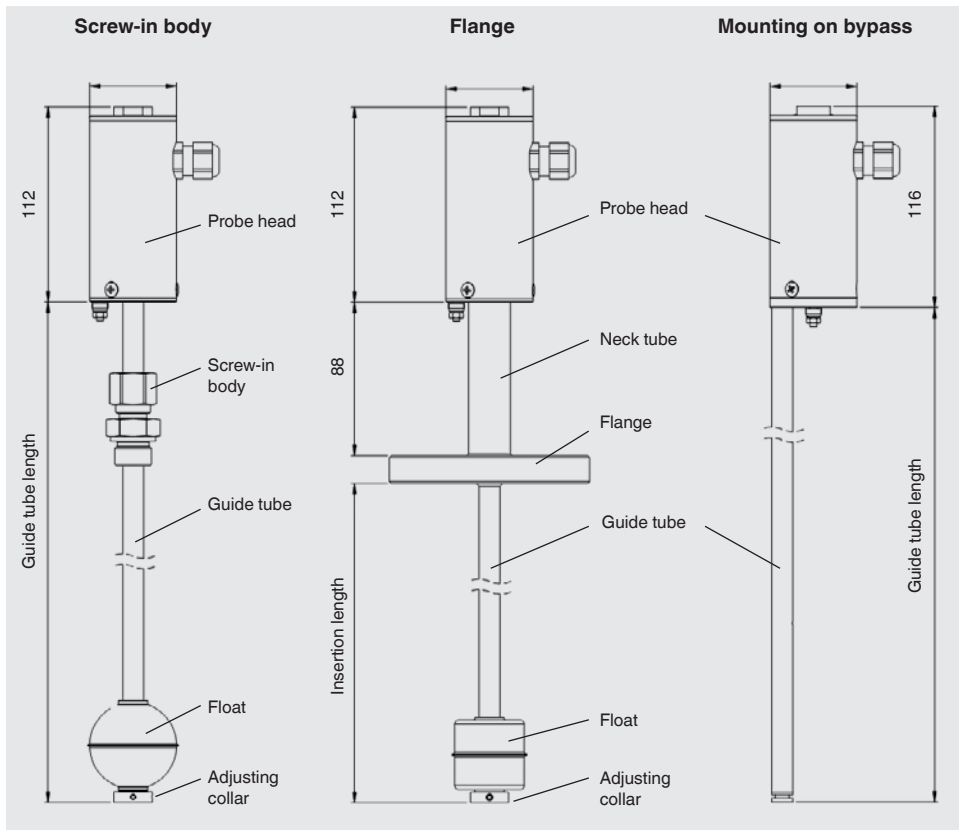
DANGER!

Risk of injury due to improper use

Work on containers involves the danger of intoxication and suffocation.

- ▶ No work is allowed to be carried out unless by taking suitable personal protective measures (e.g. breathing apparatus, protective clothing etc.).
- ▶ Work on the instrument must only be carried out by trained skilled personnel.

5.1 Mounting



5. Commissioning, operation

- During mounting, ensure that the guide tube is not bent and that the float is not subjected to shock loads.
- The installation of the level transmitter in areas with strong external magnetic fields is not permitted, since this will impede the correct measured value determination.
- The level transmitter can also be installed in the vessel from below. If the vessel is also pressurised, then the maximum length of the level transmitter is 2 m.
- If, during mounting, the float is removed, it must be slid back onto the guide tube with the marking "TOP" in the direction of the probe head, so that correct measurement can be made.

Information for safe mounting

The mounting should only be carried out in an unpowered state!

Prior to installation, it may be necessary to remove the float(s). When assembling, make sure that the float(s) is/are mounted in the correct position on the sensor tube.

Only the sensor head of the ...LM-...I model with screw terminals should be opened.

Information for safe installation

The installation should only be carried out in an unpowered state. Observe special regulations, e.g. EN 60079-14 or the local installation regulations.

If the level transmitter is supplied with a screw-in body, the thread of the screw-in body must be provided with suitable sealing material, screwed into the existing bushing and tightened. If the level transmitter is supplied without process connection, the operator is responsible for compliance with the Ex requirements.

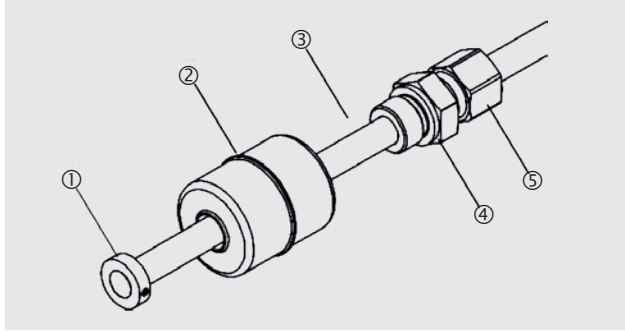
General note (see also EN 60079-26, section 4.3)

If the level transmitter is installed in the separating wall between zone 0 and zone 1, a sufficiently tight gap (IP66 or IP67) must be ensured after installation.

The process connection may cause an opening in the separating wall to the area requiring EPL "Ga". There is then a risk of flammable gases being released and flames breaking through.

5. Commissioning, operation

5.1.1 "Screw-in body" version



The dismounting of the float is then only required if the float cannot pass through the mounting hole in the vessel. Otherwise, only mounting steps 3, 6 and, if necessary, 7 must be carried out.

Inserting the level transmitter into the vessel:

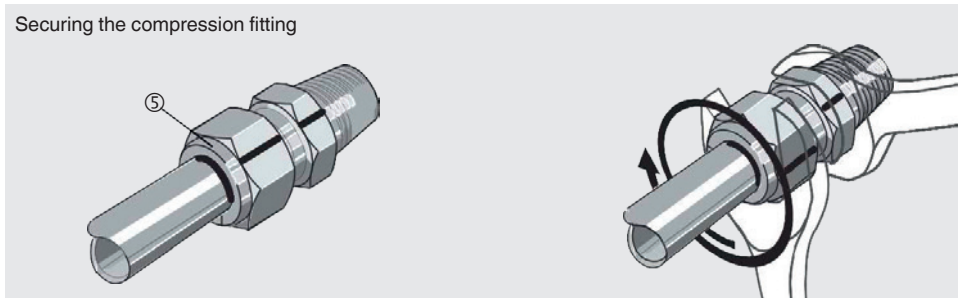
1. Loosen both threaded pins, remove the adjusting collar ① and remove the float ② from the guide tube ③.
2. If necessary, slide the screw-in body ④ onto the guide tube.
3. Insert the level transmitter into the vessel, apply suitable sealing material to, screw in and tighten the mounting thread ④.
4. Slide the float ② back onto the guide tube ③.



The float must be slid back onto the guide tube with the marking "TOP" in the direction of the probe head, so that correct measurement can be made.

5. Re-affix the adjusting collar ①, position and secure the threaded pins over the groove.
6. Position the process connection to its height and tighten the union nut ⑤ finger-tight by hand.
7. Secure the union nut ⑤ with a spanner through a 1 ¼ turn (see following figure).

Securing the compression fitting



5. Commissioning, operation

5.1.2 “Flange” version

The guide tube is firmly welded to the flange, so the insertion length cannot be changed.

Secure the flange and the flange sealing with the flange screws and nuts. The screws, nuts and seals are the responsibility of the operator and should be chosen dependent upon the measuring medium. The fixing equipment and sealings must fulfil the requirements of the EN 1092-1, EN 1514 and EN 1515 standards.

Should the float be unable to pass through the mounting hole, see mounting instructions, chapter 5.1.1 “Screw-in body” version”.

5.1.3 “Mounting on bypass” version

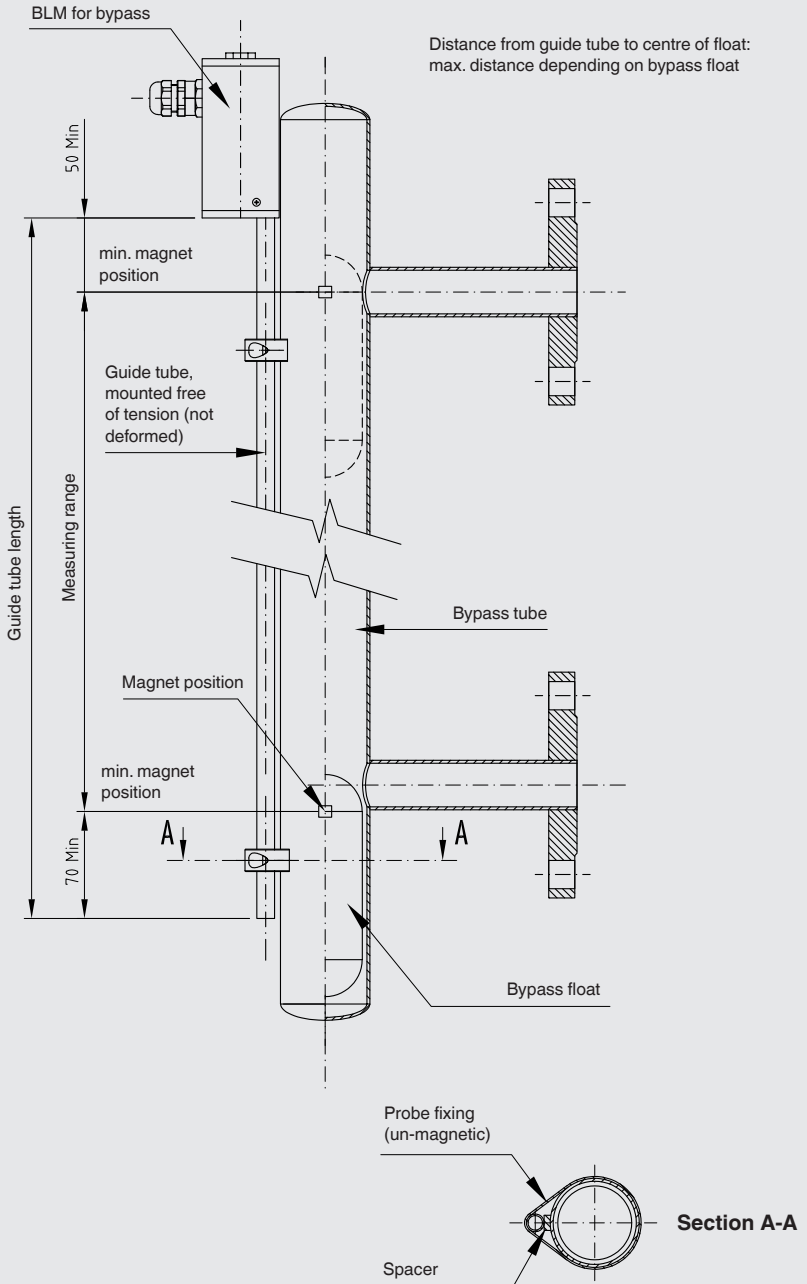
The level transmitter is mounted on the outside of the bypass tube with suitable mounting material (non-magnetic) (see following figure).



To ensure a reliable measurement, the guide tube must be mounted free of tension, without external deformations.

- ▶ The distance between guide tube and bypass tube must be as small as possible.
- ▶ Only floats approved by us can be used.

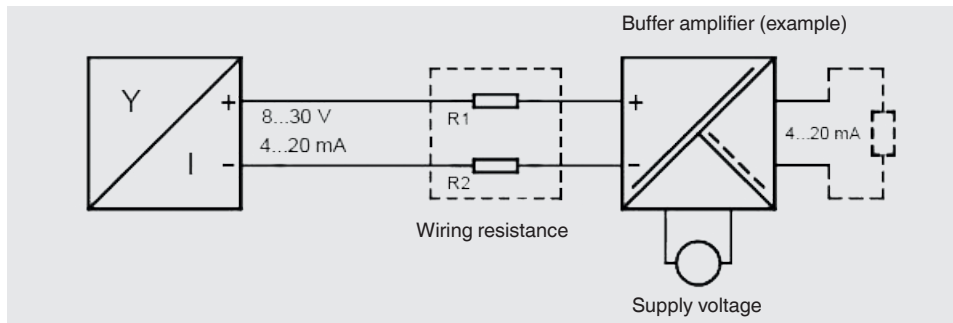
Mounting with bypass



5. Commissioning, operation

5.2 Electrical connection

5.2.1 Connection diagram (Ex)



Prior to starting operation, please check all instruments for proper connection and installation. Check the electrical supply, also of the connected instruments.

Voltage source $U_{\max} = \text{DC } 30 \text{ V}$

Minimum supply voltage $U_{\min} = 8 \text{ V}$

Overall resistance (incl. wiring resistance and load) $\Sigma R = (U - U_{\min}) / 0.0215 \text{ A}$

In hazardous areas, the intrinsically safe version of the level transmitter may only be connected to buffer amplifiers that are certified by a notified body and whose electrical output data meet the following criteria:

$U_0 \leq 30 \text{ V}$

$I_0 \leq 100 \text{ mA} / 200 \text{ mA}^1$

$P_0 \leq 1 \text{ W}$

► For further data, see the EC-type examination certificate at www.wika.com.

1) The permissible input current I_i depends on the ambient temperature T_a .

Make sure that the permissible external capacitance C_0 and inductance L_0 of the buffer amplifier are not exceeded if the level transmitter is used in a hazardous environment (see chapter 6 "Safety-related characteristic values").

The connection cable to the buffer amplifier must be marked in case of applications in a hazardous environment - preferably as a blue cable for intrinsically safe circuits.

► Connection of the cable, see chapter 5.2.3 "Wiring with cable gland" and 5.2.4 "Wiring with M12 connector")

According to the dielectric strength requirements of EN 60079-11, section 6.3.13, there is compliance with the insulation test between the intrinsically safe circuit and the chassis of the level transmitter with a voltage of AC 500 V.

5. Commissioning, operation

5.2.2 Cable length

The maximum cable length is dependent upon the overall resistance, which is composed of the wiring resistance and the load of connected instruments (see chapter 5.2.1 “Connection diagram (Ex)”).

The cable (length and cross-section) must be selected such that, in the event of the highest current supply (21.5 mA), the voltage does not drop below the probe-specific minimum supply voltage (8 V).

Make sure that, when used in hazardous areas, the permissible external capacitance C_0 and inductance L_0 of the associated equipment are not exceeded (see chapter 6 “Safety-related characteristic values”).

Maximum overall resistance with different supply voltages and also cable resistances at different cross-sections:

Supply voltage in V	Max. overall resistance in Ω	Cable cross-section in mm^2	Cable resistance per m of copper cable in Ω/m
12 (-5 %)	158	0.5	0.0356
		1.0	0.0178
		1.5	0.0119
24 (-5 %)	688	0.5	0.0356
		1.0	0.0178
		1.5	0.0119

The maximum cable length is calculated as follows:

$$L = \left(\left(\frac{U - U_{\min}}{I_{\max}} \right) - R_B \right) / R_Q$$

L = Cable length in m

U = Supply voltage V (with negative tolerance value -5 %)

U_{\min} = Minimum supply voltage V = 8 V

I_{\max} = highest current supply A = 0.0215 A

R_B = Load

R_Q = Cable resistance of copper cable (per m) in Ω/m with cable cross-section Q in mm^2

5. Commissioning, operation

Example:

Supply voltage: 12 V ($\pm 5\%$)

Supply voltage $U = 11.4\text{ V}$ ($12\text{ V} - 5\%$)

Minimum supply voltage $U_{\min} = 8\text{ V}$

Highest current supply $I_{\max} = 0.0215\text{ A}$

Load $R_B = 86.8\ \Omega$

Cable resistance $R_Q = 0.0356\ \Omega/\text{m}$ with cable cross-section $Q = 0.5\text{ mm}^2$

$$L = \left(\left(\frac{11,4 - 8}{0,0215} \right) - 86,8 \right) / 0,0356 = 2000\text{ m}$$

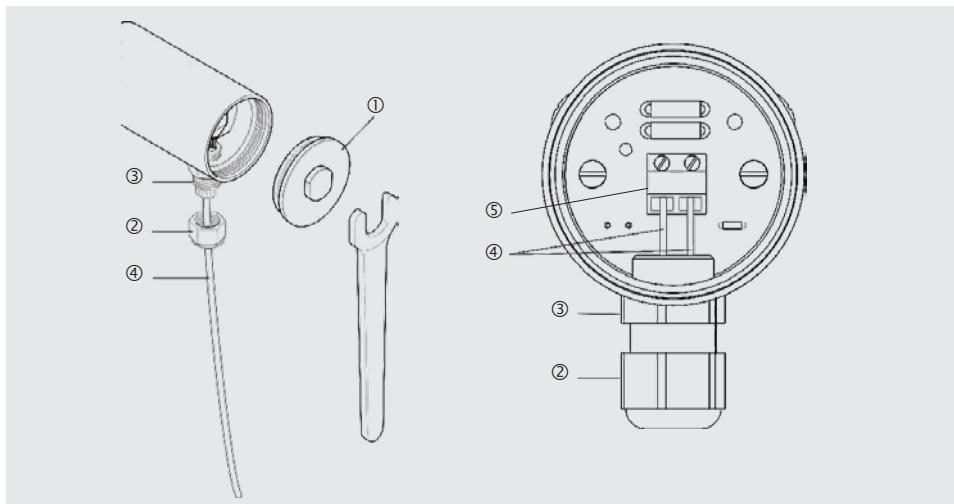
A cable with a forward and return line (2-wire) can therefore be a maximum of 1,000 m long.

5.2.3 Wiring with cable gland

The wiring should only be carried out in the unpowered state.

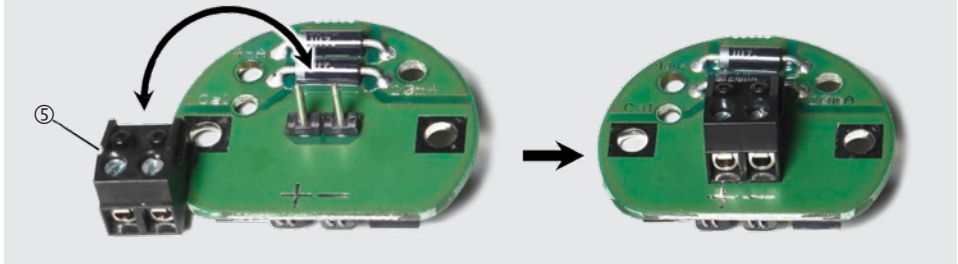
Carry out the wiring of the level transmitter as follows:

1. Unscrew the probe head cover ① using an open-ended spanner.
2. Loosen the union nut ② of the cable gland ③.



5. Commissioning, operation

Removable screw terminal



3. Thread the 2-wire cable ④ into the union nut ② and tighten (outer diameter: 5 ... 10 mm).
4. Remove the screw terminal ⑤.
5. Connect the 2-wire cable ④ to the poles marked with (+) and (-) on the screw terminal ⑤.
6. Re-affix the screw terminal ⑤. The cable must not have any tension!
7. If required, set reference points (see chapter 5.3.1 "Measuring span on the level transmitter").
8. Screw the probe head cover ① back down.

The ground connection on the underside of the probe head can be used for grounding or equipotential bonding.



CAUTION!

Damage due to incorrect mounting

The probe head and the electronics can be damaged through ingress of water.

- ▶ Protect the probe head against water ingress. A safe sealing of the cable entry is guaranteed with an outer cable diameter of 5 ... 10 mm.
- ▶ Screw the cable gland and probe head cover tight.

5.2.4 Wiring with M12 connector

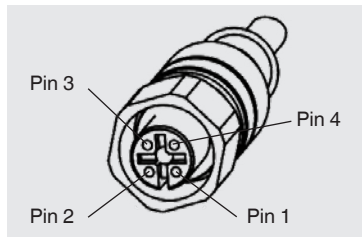
The wiring should only be carried out in the unpowered state.

If not yet connected, plug the coupling of the connection cable onto the M12 connector of the probe head. First turn the M12 connector till it is hand-tight and then secure the nut with a 180° turn using an open-ended spanner. The tightening torque should be between 100 ... 150 cNm.

5. Commissioning, operation

For the level transmitters with screw terminals, model ...LM-...AI, the terminal designation is “+” and “-”. For the level transmitters with M12 connector, the pin assignments are as follows:

Signal	Colour coding	Assignment
Voltage +	Brown	Pin 1
Not in use	White	Pin 2
Voltage -	Blue	Pin 3
Not in use	Black	Pin 4



Pin assignment of the coupling of the WIKA connection cable

Characteristic for connection cable between level transmitter and associated equipment:

- 2-wire, non-shielded cable
- Blue or marked in blue (cable for intrinsically safe circuits)

The grounding or the equipotential bonding must be carried out by the installer in accordance with the applicable national installation regulations. The ground connection of the probe head can be used for the grounding or the equipotential bonding. Please also observe the general installation regulations.

The sensors must be integrated into the equipotential bonding of the hazardous area. For the integration of the level transmitters into the equipotential bonding, the sensor head is equipped with a PA connection terminal.

General note (see also EN 60079-14:2014, section 6.4.1)

Bodies of electrical equipment do not have to be separately connected to the equipotential bonding system if they have firm and secured metallic contact with structural components or pipelines which are, in turn, connected to the equipotential bonding system.

5. Commissioning, operation

5.3 Adjustment

For variants with HART® protocol, the settings described in the following can also be made conveniently remotely without having to open the probe head.

5.3.1 Measuring span on the level transmitter

For the adjustment of the 4 mA and 20 mA points on the level transmitter, there are two buttons (② and ③) and a light-emitting diode (LED) in the connection area of the probe head.

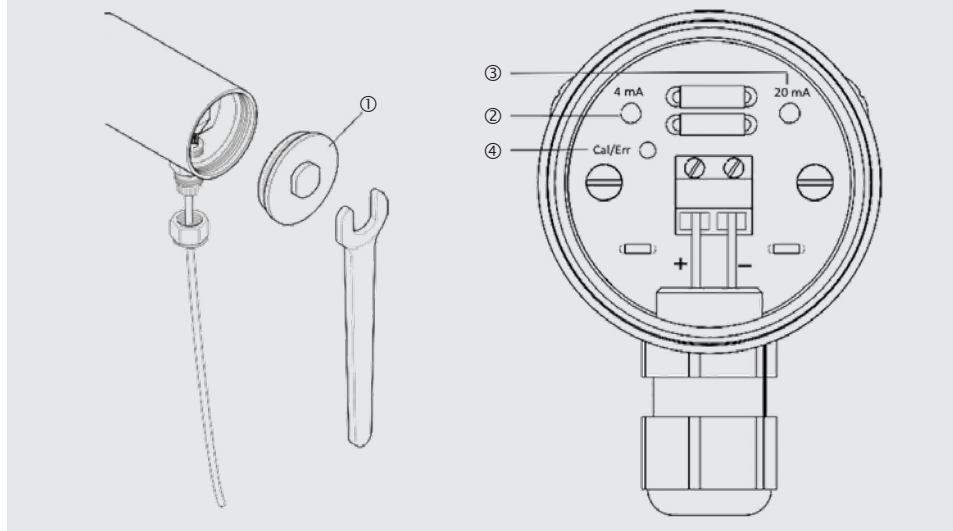
Maximum measuring span (factory-set):

4 mA at the probe foot and 20 mA at the probe head

The measuring span can be set individually for adjustment to the respective vessel. Minimum distance of 10 mm must not be breached! If this minimum distance is breached, the display direction of the level transmitter reverses automatically (empty quantity measurement).

Through the adjustment, the specification of the measured value can also be inverted, e.g. the level transmitter can be set with a maximum measuring span with 4 mA at the probe head and 20 mA at the probe foot.

Adjustment of the measuring span



1. Unscrew the probe head cover ① using an open-ended spanner.
2. Hold down the 4 mA button ② or 20 mA button ③ for a period of at least 3 seconds. The green LED starts to blink.

3. The level transmitter enters adjustment mode. The current supply of the level transmitter is 12 mA. Without pressing the button again, the level transmitter remains in adjustment mode for 20 seconds before it switches back to measuring mode without changing the adjustment. In adjustment mode, the 4 mA and the 20 mA reference point or both can now be changed in any order.
4. Define a reference point: Move float to the desired reference point and
 - press the “4 mA” button ② briefly (0.1 ... 2 seconds), in order to define a current supply of 4 mA at this position.
 - press the “20 mA” button ③ briefly (0.1 ... 2 seconds), in order to define a current supply of 20 mA at this position.



After pressing the “4 mA” button, the LED goes out for 5 seconds, after pressing the “20 mA” button, the LED lights up for 5 seconds continuously.

Subsequently, the sensor remains for a further 15 seconds in adjustment mode before saving the change and reverting to measuring mode.

The adjustment of the measuring range is only saved when the level transmitter automatically changes from adjustment mode to measuring mode and the LED goes out. The adjustment is retained even if the level transmitter is subsequently disconnected from the power supply.

In order to be able to make the setting “dry” for bypass sensors, the manufacturer of the bypass requires a magnetic system with spacer. The adjustment can then also be carried out on the dismantled sensor.

5.3.2 Current supply in error mode

If the level transmitter cannot detect a meaningful float position (i.e. a correct level) due to a fault, it switches to an error mode after a short time. The signalisation in error mode conforms to NAMUR NE43 and is factory-set to 21.5 mA - it can, however, be set to 3.6 mA.

To adjust the current supply in the error mode, see figure page 24.

1. Unscrew the probe head cover ① using an open-ended spanner.
2. Hold down both the “4 mA” button ② and the “20 mA” button ③ simultaneously for a period of at least 3 seconds.

The green LED ④ “Cal/Err” blinks rapidly. The current supply of the level transmitter is 16 mA. After 5 seconds the LED no longer blinks and displays the set error current supply for 2.5 seconds. If the LED is permanently lit, $I_{\text{Error}} = 21.5 \text{ mA}$, if the LED goes out, $I_{\text{Error}} = 3.6 \text{ mA}$. Without pressing the button again, the level transmitter remains in error mode for another 2.5 seconds before it would switch back to measuring mode without changing the setting.

5. Commissioning ... / 6. Safety-related characteristic values

3. To set a current supply
- of 3.6 mA, during the dwell time (10 seconds) in error mode, press the “4 mA” button ② briefly (0.1 ... 2 seconds).
 - of 21.5 mA, during the dwell time (10 seconds) in error mode, press the “20 mA” button ③ briefly (0.1 ... 2 seconds).



The adjustment of the measuring range is only saved when the level transmitter automatically changes from adjustment mode to measuring mode and the LED goes out. The adjustment is retained even if the level transmitter is subsequently disconnected from the power supply.

4. Screw the probe head cover ① back down.

If the level transmitter detects, during operation, that a correct output of the level is not possible due to a too low supply voltage, it switches to error mode and sets the current supply to 3.6 mA (independent of the error current settings made).

6. Safety-related characteristic values

For the connection of the level transmitter to a certified intrinsically safe circuit, the following maximum values apply:

$$U_i = 30 \text{ V}$$

$$I_i = 100 \text{ mA} / 200 \text{ mA}^{1)}$$

$$P_i = 1 \text{ W}$$

$$L_i = 20 \text{ } \mu\text{H}$$

$$C_i = 10 \text{ nF}$$

1) The permissible input current I_i depends on the ambient temperature T_a .

6. Safety-related characteristic values

The maximum temperatures for use in gas hazardous areas, depending on the temperature class and the category or equipment protection level, are indicated in temperature table 1:

Temperature table 1: Operating temperatures of the level transmitters

Temperature class	T_a	T_f
Category 1G or equipment protection level Ga (complete level transmitter installed in zone 0)		
T6	$I_i \leq 100 \text{ mA: } -20 \dots +40 \text{ }^\circ\text{C}$ $I_i \leq 200 \text{ mA: } -20 \dots +25 \text{ }^\circ\text{C}$	
T5	$I_i \leq 100 \text{ mA: } -20 \dots +55 \text{ }^\circ\text{C}$ $I_i \leq 200 \text{ mA: } -20 \dots +40 \text{ }^\circ\text{C}$	
T4, T3, T2, T1	$-20 \dots +60 \text{ }^\circ\text{C}$	
Category 1/2G or equipment protection level Ga/Gb (sensor head installed in zone 1, sensor tube installed in zone 0)		
T6	$I_i \leq 100 \text{ mA: } -40 \dots +55 \text{ }^\circ\text{C}$ $I_i \leq 200 \text{ mA: } -40 \dots +40 \text{ }^\circ\text{C}$	$I_i \leq 100 \text{ mA: } -20 \dots +40 \text{ }^\circ\text{C}$ $I_i \leq 200 \text{ mA: } -20 \dots +25 \text{ }^\circ\text{C}$
T5	$I_i \leq 100 \text{ mA: } -40 \dots +55 \text{ }^\circ\text{C}$ $I_i \leq 200 \text{ mA: } -40 \dots +40 \text{ }^\circ\text{C}$	$I_i \leq 100 \text{ mA: } -20 \dots +55 \text{ }^\circ\text{C}$ $I_i \leq 200 \text{ mA: } -20 \dots +40 \text{ }^\circ\text{C}$
T4, T3, T2, T1	$I_i \leq 100 \text{ mA: } -40 \dots +85 \text{ }^\circ\text{C}$ $I_i \leq 200 \text{ mA: } -40 \dots +70 \text{ }^\circ\text{C}$	$-20 \dots +60 \text{ }^\circ\text{C}$
Category 2G or equipment protection level Gb (complete level transmitter installed in zone 1)		
T6	$I_i \leq 100 \text{ mA: } -40 \dots +40 \text{ }^\circ\text{C}$ $I_i \leq 200 \text{ mA: } -40 \dots +25 \text{ }^\circ\text{C}$	$-40 \dots +85 \text{ }^\circ\text{C}$
T5	$I_i \leq 100 \text{ mA: } -40 \dots +55 \text{ }^\circ\text{C}$ $I_i \leq 200 \text{ mA: } -40 \dots +40 \text{ }^\circ\text{C}$	$-40 \dots +100 \text{ }^\circ\text{C}$
T4	$I_i \leq 100 \text{ mA: } -40 \dots +85 \text{ }^\circ\text{C}$ $I_i \leq 200 \text{ mA: } -40 \dots +70 \text{ }^\circ\text{C}$	$-40 \dots +135 \text{ }^\circ\text{C}$
T3		$-40 \dots +200 \text{ }^\circ\text{C}$
T2		$-40 \dots +300 \text{ }^\circ\text{C}$
T1		$-40 \dots +450 \text{ }^\circ\text{C}$

For use in category 1G or 1/2G the following applies:

The process pressure of the media must be between 0.8 bar and 1.1 bar in the presence of explosive vapour/air mixtures. If no explosive mixtures are present, the instruments may also be operated outside this range in accordance with the manufacturer's specifications. Appropriate measures must be taken to ensure that the temperature (T_a) of the respective temperature class is not exceeded at any point of the sensor head.

6. Safety-related characteristic values / 7. Faults

General note (see also EN IEC 60079-0, section 1)

Zone 0 is only given under atmospheric conditions

Temperature range: -20 ... +60 °C

Pressure range: 0.8 ... 1.1 bar

Oxidising agents: Air (oxygen content approx. 21 %)

The maximum ambient temperatures for use in gas hazardous areas, depending on the surface ambient temperature and the dust layer, are indicated in temperature table 2.

Temperature table 2: Operating temperatures for dust hazardous areas

Maximum surface temperature		Ambient temperature T_a
Dust layer ≤ 5 mm	With dust cover	
$T_a + 75$ °C	Observe EN 60079-14	-40 ... +85 °C

7. Faults



DANGER!

Danger to life from explosion

Through working in flammable atmospheres, there is a risk of explosion which can cause death.

- ▶ Only rectify faults in non-flammable atmospheres!



CAUTION!

Physical injuries and damage to property and the environment

If faults cannot be eliminated by means of the listed measures, the instrument must be taken out of operation immediately.

- ▶ Ensure that there is no longer any pressure present and protect against being put into operation accidentally.
- ▶ Contact the manufacturer.
- ▶ If a return is needed, please follow the instructions given in chapter 9.2 "Return".



For contact details see chapter 1 "General information" or the back page of the operating instructions.

7. Faults

The following table contains the most frequent causes of faults and the necessary countermeasures.

Faults	Causes	Measures
No or undefined function	Incorrect terminal assignment	Compare connection diagram
	Insulation not clamped sufficiently	Check the terminals
	Adjusting collar has slipped or is incorrectly fitted after the removal from the guide tube	Check the location of the adjusting collar
False 0 ... 100 % values	Incorrectly fitted float	Turn the float
	Incorrect details with the order	Contact the manufacturer
	Defective wave guide through mechanical effects	Return to the manufacturer
	Incorrectly adjusted	Readjust or contact manufacturer
The transmitter cannot be mounted at the planned place on the vessel	Thread sizes and flange sizes for the level transmitter and vessel do not match	Modification of the vessel or modification of the level transmitter in the factory
	Thread on the screwed coupling at the vessel defective	Rework the thread or replace the screwed coupling
	Mounting thread at the level transmitter defective	Return to the manufacturer

EN

8. Maintenance and cleaning

EN



For contact details see chapter 1 “General information” or the back page of the operating instructions.

8.1 Maintenance

When used properly, the magnetostrictive level transmitters work maintenance-free. They must be subjected to visual inspection within the context of regular maintenance, however, and included in the vessel pressure test.



DANGER!

Risk of injury due to improper use

Work on containers involves the danger of intoxication and suffocation.

- ▶ No work is allowed to be carried out unless by taking suitable personal protective measures (e.g. breathing apparatus, protective clothing etc.).
- ▶ Work on the instrument must only be carried out by trained skilled personnel.

Repairs must only be carried out by the manufacturer.



Perfect functioning of the magnetostrictive level transmitters can only be guaranteed when original accessories and spare parts are used.

8.2 Cleaning



CAUTION!

Physical injuries and damage to property and the environment

Improper cleaning may lead to physical injuries and damage to property and the environment. Residual media in the dismantled instrument can result in a risk to persons, the environment and equipment.

- ▶ Rinse or clean the dismantled instrument.
- ▶ Take sufficient precautionary measures.

1. Prior to cleaning, properly disconnect the instrument from the process and the power supply.
2. Clean the instrument carefully with a moist cloth.
Electrical connections must not come into contact with moisture!



CAUTION!

Damage to property

Improper cleaning may lead to damage to the instrument!

- ▶ Do not use any aggressive cleaning agents.
- ▶ Do not use any hard or pointed objects for cleaning.

3. Wash or clean the dismantled instrument, in order to protect persons and the environment from exposure to residual media.

9. Dismounting, return and disposal



WARNING!

Physical injuries and damage to property and the environment through residual media

Residual media in the dismantled instrument can result in a risk to persons, the environment and equipment.

- ▶ Wash or clean the dismantled instrument, in order to protect persons and the environment from exposure to residual media.

9.1 Dismounting

Only disconnect the measuring instrument once the system has been depressurised and the power disconnected!

Only the sensor head of the ...LM-...I model with screw terminals should be opened. Further dismantling would possibly damage the level transmitter and invalidate the approval.

9.2 Return



Before returning, an approval is required through our customer service. To do this, contact the customer advisor or customer service, who will inform you about the details of the return.

Wash or clean the dismantled magnetostrictive level transmitter before returning it, in order to protect personnel and the environment from exposure to residual media.



Information on returns can be found under the heading "Service" on our local website.

9.3 Disposal

Incorrect disposal can put the environment at risk.

Dispose of instrument components and packaging materials in an environmentally compatible way and in accordance with the country-specific waste disposal regulations.

10. Specifications

10. Specifications

10.1 Model FLM-CAI

Magnetostrictive level transmitter

Guide tube	<ul style="list-style-type: none"> ■ Ø 6 mm (max. 1,000 mm) ■ Ø 12 mm (max. 3,000 mm)
Process connection	Mounting thread downwards <ul style="list-style-type: none"> ■ G 1/2 ... G 2 ■ 1/2 NPT ... 2 NPT Mounting flange <ul style="list-style-type: none"> ■ ANSI 1/2" ... 2 1/2", class 150 ... 600 ■ EN DN 20 ... DN 65, PN 6 ... PN 100 ■ DIN DN 20 ... DN 65, PN 6 ... PN 100 Other process connections on request
Materials	
Wetted parts	Stainless steel 1.4571 (316Ti)
Connection head	Stainless steel 1.4305 (303)
Insertion length	
Guide tube Ø 6 mm	100 ... 1,000 mm
Guide tube Ø 12 mm	100 ... 3,000 mm
Measurement accuracy	±1.25 mm
Resolution	0.1 mm
Electrical connection	Connection terminals max. 1.5 mm ²
Supply voltage	DC 8 ... 30 V
Output signal	<ul style="list-style-type: none"> ■ 4 ... 20 mA (NAMUR NE43) ■ HART® ver. 6
Vibration resistant version (option)	to 4 g (only for guide tube Ø 12 mm)
Operating pressure	Depending on the float, max. 40 bar
Operating temperature	
Guide tube Ø 6 mm	-40 ... +125 °C
Guide tube Ø 12 mm	-40 ... +250 °C
Ambient temperature	-40 ... +85 °C
Ingress protection per EN 60529	IP68
Configuration	
Version without HART® protocol	Via two built-in buttons in the connection housing
Version with HART® protocol	Via two built-in buttons, HART® communicator or HART® interface in the connection housing

For further specifications see data sheet LM 20.04 and the order documentation.

10. Specifications

10.2 Model FLM-TAI

	Mounting thread	Flange
Electrical connection	Sensor housing, material stainless steel 1.4301	
Process connection	Mounting thread downwards G 1 1/2 or G 2	Mounting flange <ul style="list-style-type: none"> ■ DIN DN 50 ... DN 200, PN 6 ... PN 100 ■ ANSI 2" ... 8", class 150 ... 600
Max. guide tube length L		
Guide tube Ø 12 mm	3,000 mm	
Guide tube Ø 18 mm	6,000 mm	
Float	Material: Stainless steel 1.4571 (option: Titanium) Float diameter from 44 ... 120 mm Float selection depending on guide tube Ø and process conditions (see data sheet LM 20.01, page 8 / 9)	
Max. operating pressure	40 bar (100 bar with float from titanium) → see data sheet LM 20.01, table on page 8	
Temperature range		
Medium (standard)		
High-temperature version	-45 ... +450 °C	
Low-temperature version	-90 ... +125 °C	
Ambient temperature	-40 ... +85 °C	
Output signal	4 ... 20 mA, HART®	
Supply voltage	DC 10 ... 30 V	
Measurement accuracy	< ±0.5 mm	
Resolution	< 0.1 mm	
Load	max. 900 Ω at 30 V	
Mounting position	Vertical ±30°	
Ingress protection	IP68 per IEC/EN 60529	

For further specifications see data sheet LM 20.01 and the order documentation.

10. Specifications

10.3 Model BLM-TAI

Specifications	
Connection housing (sensor housing)	Stainless steel 1.4305, optionally stainless steel 1.4404
Sensor tube	Stainless steel 1.4571, optionally stainless steel 1.4404 Tube Ø 12 mm, tube length L max. 6,000 mm
Medium temperature	-60 ... +450 °C
Ambient temperature	T4/T5/T6: -40 ... +85/+55/+40 °C
Output signal	4 ... 20 mA, HART®
Supply voltage	DC 10 ... 30 V
Measurement accuracy	< ±0.5 mm
Resolution	< 0.1 mm
Ingress protection	IP68

For further specifications see data sheet LM 10.05 and the order documentation.

10.4 Float

The float is an essential component of the level transmitter, which must be matched to the medium in terms of density, pressure strength and material resistance.

The floats listed below are interchangeable and can be reordered individually. Further float models and materials are available on request.

- ▶ The density and magnet position of floats of the same type vary slightly, so that readjustment may be necessary.
- ▶ All floats can also be used with a pressure of -1 bar (vacuum).

Material	Version	Description	For guide tube Ø in mm	Limit density 85 % in kg/m ³
Stainless steel 1.4571 (316Ti)	V18/42A	Cylinder Ø 18 mm	6	800
	V27A	Cylinder Ø 27 mm	6	700
	V29A	Sphere Ø 29 mm	6	920
	V29A/40	Cylinder Ø 29 mm	12	620
	V44A	Cylinder Ø 44 mm	12	720
	V52A	Sphere Ø 52 mm	12	690
Titanium 3.7035 (grade 2)	T29A	Sphere Ø 29 mm	6	700

10. Specifications

Material	Version	Description	For guide tube Ø in mm	Limit density 85 % in kg/m ³
Buna (NBR)	B20A	Cylinder Ø 20 mm	6	940
	B23A	Cylinder Ø 23 mm	6	800
	B25A	Cylinder Ø 25 mm	6	790
	B30A	Cylinder Ø 30 mm	6	680
	B40A	Cylinder Ø 40 mm	12	580



The pressure strength can only be ensured for undamaged floats. Even the smallest and invisible dents, for example when the float falls from the table onto a stone floor, are sufficient to significantly reduce the pressure strength.



EN

EU-Konformitätserklärung EU Declaration of Conformity

Document Nr.: 1248
Document No.:

Wir erklären in alleiniger Verantwortung, dass die mit CE gekennzeichneten Produkte
We declare under our sole responsibility that the CE marked products

FLM-TAI
FLM-CAI
BLM-CAI
BLM-TAI
FLM-TMI
FLM-CMI
BLM-CMI
BLM-TMI

Beschreibung: Magnetostriktiv-Niveau-Messwertgeber; Magnetostriktiv-Niveau-Messwertgeber für Bypass-Anbau;
Description: Magnetostrictive level transmitter, Magnetostrictive level transmitter for bypass mounting

Die grundlegenden Schutzanforderungen der folgenden Richtlinien erfüllen:
Comply with the essential protection requirements of the directives:

2011/65/EU	Gefährliche Stoffe (RoHS): <i>Hazardous substances (RoHS):</i>	EN 50581:2012 EN IEC 63000:2018
2014/34/EU	Explosionsschutz (ATEX) ⁽¹⁾⁽²⁾ : <i>Explosion protection (ATEX) ⁽¹⁾⁽²⁾:</i>	EN IEC 60079-0:2018 EN 60079-11:2012 EN 60079-26 :2015
2014/30/EU	Elektromagnetische Verträglichkeit (EMV) <i>Electromagnetic compatibility (EMC)</i>	EN 61326-1 :2013 Klasse B; Industrielle elektromagnetische Umgebung <i>Class B; Industrial electromagnetic environment</i>

⁽¹⁾ EG-Baumusterprüfbescheinigung TÜV 18 ATEX 225120 X
EC type examination certificate TÜV 18 ATEX 225120 X

⁽²⁾ Notifizierte Stelle: TÜV NORD CERT GmbH, Langemarckstraße 20, 45141 Essen (Reg.-Nr. 0044).
Notified Body: TÜV NORD CERT GmbH, Langemarckstraße 20, 45141 Essen (Reg.-Nr. 0044).

Unterzeichnet für und im Namen von / *Signed for and on behalf of*

KSR Kuebler Niveau-Messtechnik GmbH
Zwingenberg, 2020-06-09

Stefan Amendt, Technischer Leiter

Inhalt

1. Allgemeines	39
2. Aufbau und Funktion	39
2.1 Beschreibung	39
2.2 Typenübersicht.	40
2.3 Aufbau und Funktionsweise	41
2.4 Lieferumfang	42
3. Sicherheit	43
3.1 Symbolerklärung	43
3.2 Bestimmungsgemäße Verwendung	43
3.3 Fehlgebrauch	44
3.4 Verantwortung des Betreibers.	44
3.5 Personalqualifikation.	45
3.6 Persönliche Schutzausrüstung	45
3.7 Beschilderung, Sicherheitskennzeichnungen	46
3.8 Ex-Kennzeichnung	46
4. Transport, Verpackung und Lagerung	47
4.1 Transport.	47
4.2 Verpackung und Lagerung	47
5. Inbetriebnahme, Betrieb	48
5.1 Montage	48
5.1.1 Ausführung „Einschraubkörper“	50
5.1.2 Ausführung „Flansch“	51
5.1.3 Ausführung „Anbau an Bypass“	51
5.2 Elektrischer Anschluss	53
5.2.1 Anschlussplan (Ex)	53
5.2.2 Kabellänge	54
5.2.3 Verdrahtung bei Kabelverschraubung	55
5.2.4 Verdrahtung bei M12-Stecker.	56
5.3 Justierung	58
5.3.1 Messbereichsspanne am Füllstandstransmitter.	58
5.3.2 Stromaufnahme im Fehlermodus	59
6. Sicherheitstechnische Kennwerte	60
7. Störungen	62

8. Wartung und Reinigung	64
8.1 Wartung	64
8.2 Reinigung	64
9. Demontage, Rücksendung und Entsorgung	65
9.1 Demontage	65
9.2 Rücksendung	65
9.3 Entsorgung	65
10. Technische Daten	66
10.1 Typ FLM-CAI	66
10.2 Typ FLM-TAI	67
10.3 Typ BLM-TAI	68
10.4 Schwimmer	68
Anlage: EU-Konformitätserklärung	70

Konformitätserklärungen finden Sie online unter www.wika.de.

1. Allgemeines

- Die in der Betriebsanleitung beschriebenen Magnetostraktiv-Füllstandstransmitter werden nach dem aktuellen Stand der Technik konstruiert und gefertigt. Alle Komponenten unterliegen während der Fertigung strengen Qualitäts- und Umweltkriterien. Unsere Managementsysteme sind nach ISO 9001 zertifiziert.
- Diese Betriebsanleitung gibt wichtige Hinweise zum Umgang mit dem Gerät. Voraussetzung für sicheres Arbeiten ist die Einhaltung aller angegebenen Sicherheitshinweise und Handlungsanweisungen.
- Die für den Einsatzbereich des Gerätes geltenden örtlichen Unfallverhütungsvorschriften und allgemeinen Sicherheitsbestimmungen einhalten.
- Die Betriebsanleitung ist Produktbestandteil und muss in unmittelbarer Nähe des Gerätes für das Fachpersonal jederzeit zugänglich aufbewahrt werden. Betriebsanleitung an nachfolgende Benutzer oder Besitzer des Gerätes weitergeben.
- Das Fachpersonal muss die Betriebsanleitung vor Beginn aller Arbeiten sorgfältig durchgelesen und verstanden haben.
- Es gelten die allgemeinen Geschäftsbedingungen in den Verkaufsunterlagen.
- Technische Änderungen vorbehalten.
- Weitere Informationen:
 - Internet-Adresse: www.wika.de / www.wika.com
 - Zugehöriges Datenblatt: LM 20.04 (FLM-CAI)
LM 20.01 (FLM-TAI)
LM 10.05 (BLM-TAI)

2. Aufbau und Funktion

2.1 Beschreibung

Die hochgenauen Füllstandstransmitter Typen FLM-CAI (mit Gleitrohr-Ø 6 mm) und FLM-TAI (mit Gleitrohr-Ø 12 mm) dienen zur kontinuierlichen Füllstandsmessung von flüssigen Medien in Behältern. Das angewandte Messverfahren nutzt den physikalischen Effekt der Magnetostraktion aus und ist weitgehend unabhängig von der Temperatur. Es findet besonders dort Anwendung, wo sehr exakte Füllstandsmessungen erforderlich sind, wie z. B. in der chemischen Industrie.

In dieser Betriebsanleitung ist der FLM mit Kabelanschluss seitlich am Sondenkopf beschrieben. Als Kabelanschluss ist eine M12-Kabelverschraubung (auch mit M16-Adapter), ein M12-Stecker oder ein M20- bzw. ½ NPT-Innengewinde möglich. Als weitere Variante gibt es den FLM mit einem M12-Stecker auf dem Sondenkopfdeckel. Der Typ BLM-TAI kann für den Anbau an Bypasskammern verwendet werden.

2. Aufbau und Funktion

Der Füllstandstransmitter gibt ein 4 ... 20 mA-Ausgangssignal ab, das mittels Tasten im Sondenkopf konfiguriert wird, oder ein digitales Ausgangssignal als HART®-Protokoll.

Möglich sind Sondenlängen von 100 mm bis 6 m, als „Flex-Ausführung“ bis zu 10 m, sowie verschiedene Temperatur- und Druckbereiche.

Verfügbare Ausführungen:

- Mit Einschraubkörper, verschweißt oder zur stufenlosen Positionierung
- Mit Prozessanschluss Flansch
- Zur Montage an einem Bypass mit Magnetschwimmer
- Mit 90° angewinkeltem Sondenkopf
- Mit 6 mm Gleitrohr
- Mit 6 mm Gleitrohr und kurzer Kabeldurchführung
- Mit 12 mm Gleitrohr

Dieser Füllstandstransmitter mit ATEX- und IECEx-Zulassung kann in explosionsgefährdeten Bereichen installiert werden, die elektrische Betriebsmittel des Geräteschutzniveaus Ga (Zone 0), Geräteschutzniveaus Ga/Gb (Zone 0/1) oder Geräteschutzniveaus Gb (Zone 1) erfordern.

Das Gerät ist gemäß den folgenden europäischen Normen ausgeführt:

EN IEC 60079-0:2018 Betriebsmittel – Allgemeine Anforderungen

EN 60079-11:2012 Geräteschutz durch Eigensicherheit „i“

EN 60079-26:2015 Betriebsmittel mit Geräteschutzniveau (EPL) Ga

2.2 Typenübersicht

Typ	Gleitrohrdurchmesser in mm	Einbauart
FLM-CAI	6	Direkteinbau
FLM-TAI	12	Direkteinbau
BLM-TAI	12	Bypassanbau

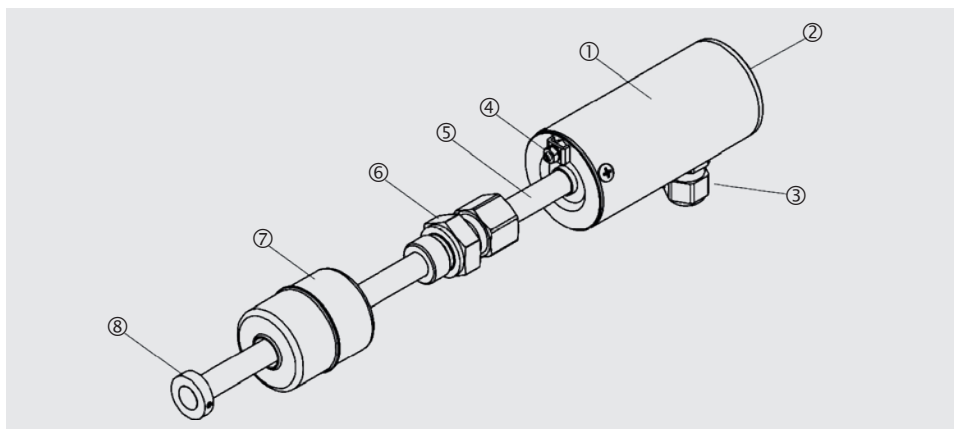
2. Aufbau und Funktion

2.3 Aufbau und Funktionsweise

Der Aufbau des Füllstandstransmitters ist abgebildet in der Ausführung mit Einschraubkörper. Im Sondenkopf ① des Füllstandstransmitters befinden sich die durch den Deckel ② geschützten Anschlussklemmen und die Justiertasten. Der elektrische Anschluss erfolgt über eine M16 x 1,5-Kabelverschraubung ③ oder M12-Steckverbindung oben am Sondenkopf und den Erdungsanschluss ④ unten am Sondenkopf (siehe Kapitel 5.1 „Montage“ und 5.3 „Justierung“).

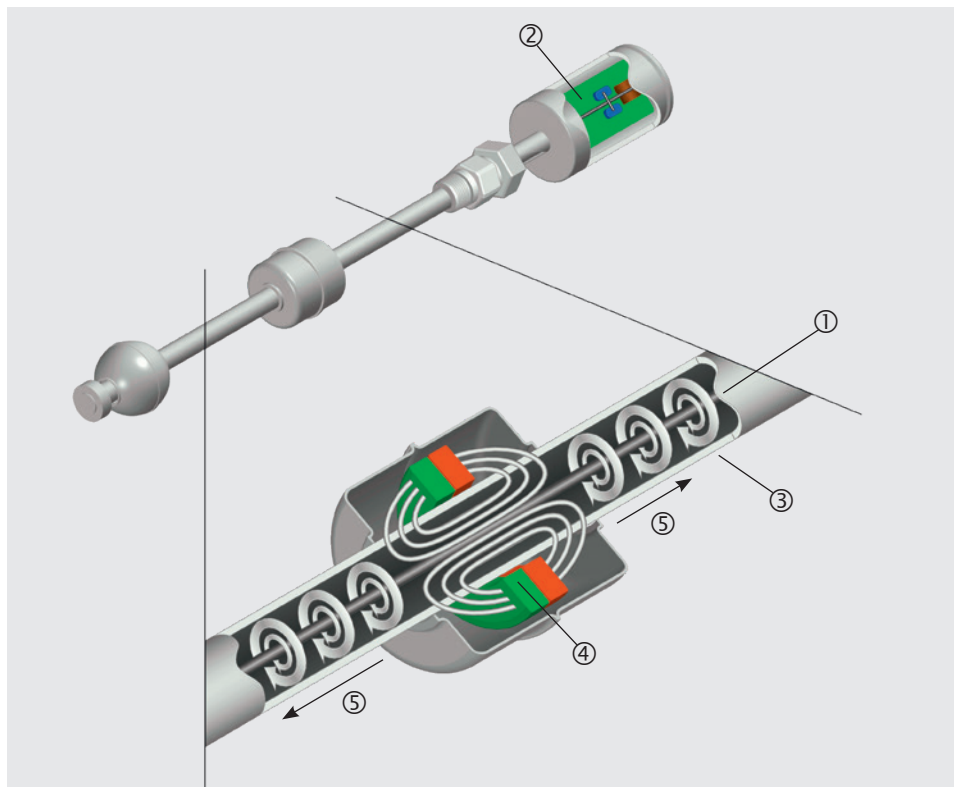
Auf dem Gleitrohr ⑤ sitzt zur höhenverstellbaren Montage im Behälter ein Einschraubkörper ⑥ (Klemmverschraubung) oder zur festen Montage ein Flansch (nicht dargestellt). Der Schwimmer ⑦ dient der kontinuierlichen Messung der Produktfüllhöhe oder Trennschicht und wird durch einen Stellring ⑧ auf dem Gleitrohr gehalten.

Die Ausführung „BLM zum Bypassanbau“ wird ohne Prozessanschluss und Schwimmer geliefert.



2. Aufbau und Funktion

Das in der nachfolgenden Abbildung dargestellte Messverfahren nutzt den physikalischen Effekt der Magnetostriktion und ist weitgehend unabhängig von der Temperatur. Im Gleitrohr ist ein Draht ① aus magnetostrikтивem Material gespannt. Durch die Sensorelektronik werden Strompulse ② durch den Draht gesendet, die ein zirkulares Magnetfeld ③ erzeugen. Als Füllstandsgeber dient ein Magnet ④, der im Schwimmer eingebaut ist. Sein Magnetfeld magnetisiert den Draht axial. Durch die Überlagerung der beiden Magnetfelder wird im Bereich des Schwimmermagneten eine Torsionswelle ⑤ erzeugt, die in beide Richtungen auf dem Draht entlang läuft. Eine Welle läuft direkt zum Sondenkopf, die andere wird am unteren Ende des Gleitrohres reflektiert. Die Zeit zwischen der Aussendung des Stromimpulses und dem Eintreffen der Welle am Sondenkopf wird gemessen. Aus den Laufzeiten wird die Schwimmerposition bestimmt.



2.4 Lieferumfang

Lieferumfang mit dem Lieferschein abgleichen.

3. Sicherheit

3.1 Symbolerklärung

**GEFAHR!**

... weist auf eine unmittelbar gefährliche Situation hin, die zum Tod oder zu schweren Verletzungen führt, wenn sie nicht gemieden wird.

**WARNUNG!**

... weist auf eine möglicherweise gefährliche Situation hin, die zum Tod oder zu schweren Verletzungen führen kann, wenn sie nicht gemieden wird.

**VORSICHT!**

... weist auf eine möglicherweise gefährliche Situation hin, die zu geringfügigen oder leichten Verletzungen bzw. Sach- und Umweltschäden führen kann, wenn sie nicht gemieden wird.

**GEFAHR!**

... weist auf eine möglicherweise gefährliche Situation im explosionsgefährdeten Bereich hin, die zum Tod oder zu schweren Verletzungen führen kann, wenn sie nicht gemieden wird.

**Information**

... hebt nützliche Tipps und Empfehlungen sowie Informationen für einen effizienten und störungsfreien Betrieb hervor.

3.2 Bestimmungsgemäße Verwendung

Magnetostriktiv-Füllstandstransmitter dienen ausschließlich zur kontinuierlichen Füllstandsmessung von flüssigen Medien in Behältern.

Die Füllstandstransmitter sind als eigensichere Betriebsmittel ausgeführt und für die Verwendung im explosionsgefährdeten Bereich geeignet. Alle Füllstandstransmitter sind für alle Gase der Gruppen IIA, IIB und IIC einsetzbar. Zudem dürfen alle Füllstandstransmitter für die Staubgruppen IIIA, IIIB und IIIC eingesetzt werden.

Um einen nichtleitfähigen Kunststoffschwimmer im explosionsgefährdeten Bereich mit Gasen aus der Gruppe IIC einzusetzen, muss die Gefährdung durch statische Aufladung verhindert werden. Folgende Bedingungen beachten:

- Der Einsatz des Schwimmers in stark strömenden, nichtleitenden Flüssigkeiten ist untersagt.
- Es darf sich kein Rührwerk im Tank befinden.
- Reibungen an nichtleitenden Bauteilen sind zu vermeiden.
- Der Schwimmer darf nicht trocken gereinigt werden.

3. Sicherheit

Das Gerät ist ausschließlich für den hier beschriebenen bestimmungsgemäßen Verwendungszweck konzipiert und konstruiert und darf nur dementsprechend verwendet werden.

Ansprüche jeglicher Art aufgrund von nicht bestimmungsgemäßer Verwendung sind ausgeschlossen.

3.3 Fehlgebrauch

Als Fehlgebrauch gilt jede Verwendung, die die technischen Leistungsgrenzen überschreitet.



WARNUNG!

Verletzungen durch Fehlgebrauch

Fehlgebrauch des Gerätes kann zu gefährlichen Situationen und Verletzungen führen.

- ▶ Eigenmächtige Umbauten am Gerät unterlassen.

Jede über die bestimmungsgemäße Verwendung hinausgehende oder andersartige Benutzung gilt als Fehlgebrauch.

Dieses Gerät nicht in Sicherheits- oder in Not-Aus-Einrichtungen benutzen.

3.4 Verantwortung des Betreibers

Das Gerät wird im gewerblichen Bereich eingesetzt. Der Betreiber unterliegt daher den gesetzlichen Pflichten zur Arbeitssicherheit.

Die Sicherheitshinweise dieser Betriebsanleitung, sowie die für den Einsatzbereich des Gerätes gültigen Sicherheits-, Unfallverhütungs- und Umweltschutzvorschriften einhalten.

Für ein sicheres Arbeiten am Gerät muss der Betreiber sicherstellen:

- dass eine entsprechende Erste-Hilfe-Ausrüstung vorhanden ist und bei Bedarf jederzeit Hilfe zur Stelle ist.
- dass das Bedienpersonal regelmäßig in allen zutreffenden Fragen von Arbeitssicherheit, Erste Hilfe und Umweltschutz unterwiesen wird, sowie die Betriebsanleitung und insbesondere die darin enthaltenen Sicherheitshinweise kennt.
- dass das Gerät gemäß der bestimmungsgemäßen Verwendung für den Anwendungsfall geeignet ist.

3.5 Personalqualifikation



WARNUNG!

Verletzungsgefahr bei unzureichender Qualifikation

Unsachgemäßer Umgang kann zu erheblichen Personen- und Sachschäden führen.

- ▶ Die in dieser Betriebsanleitung beschriebenen Tätigkeiten nur durch Fachpersonal nachfolgend beschriebener Qualifikation durchführen lassen.

Fachpersonal

Das vom Betreiber autorisierte Fachpersonal ist aufgrund seiner fachlichen Ausbildung, seiner Kenntnisse der Mess- und Regelungstechnik und seiner Erfahrungen sowie Kenntnis der landesspezifischen Vorschriften, geltenden Normen und Richtlinien in der Lage, die beschriebenen Arbeiten auszuführen und mögliche Gefahren selbstständig zu erkennen.

Besondere Kenntnisse bei Arbeiten mit Geräten für explosionsgefährdete Bereiche:

Das Fachpersonal muss Kenntnisse haben über Zündschutzarten, Vorschriften und Verordnungen für Betriebsmittel in explosionsgefährdeten Bereichen.

Spezielle Einsatzbedingungen verlangen weiteres entsprechendes Wissen, z. B. über aggressive Messstoffe.

3.6 Persönliche Schutzausrüstung

Die persönliche Schutzausrüstung dient dazu, das Fachpersonal gegen Gefahren zu schützen, die dessen Sicherheit oder Gesundheit bei der Arbeit beeinträchtigen könnten. Beim Ausführen der verschiedenen Arbeiten an und mit dem Gerät muss das Fachpersonal persönliche Schutzausrüstung tragen.

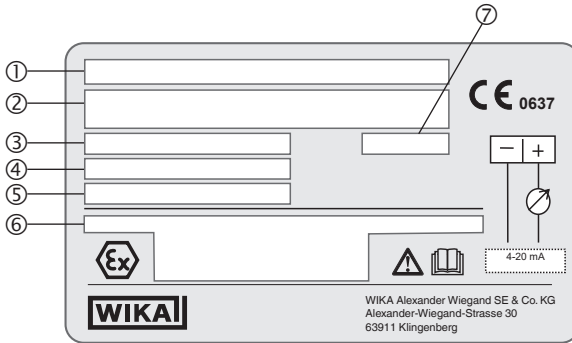
Im Arbeitsbereich angebrachte Hinweise zur persönlichen Schutzausrüstung befolgen!

Die erforderliche persönliche Schutzausrüstung muss vom Betreiber zur Verfügung gestellt werden.

3. Sicherheit

3.7 Beschilderung, Sicherheitskennzeichnungen

Typenschild



- ① Typ
- ② Typcode
- ③ Seriennummer
- ④ Artikelnummer
- ⑤ Tag-Nr.
- ⑥ Ex-relevante Daten
- ⑦ Herstellungsjahr



Vor Montage und Inbetriebnahme des Gerätes unbedingt die Betriebsanleitung lesen!

3.8 Ex-Kennzeichnung



GEFAHR!

Lebensgefahr durch Verlust des Explosionsschutzes

Die Nichtbeachtung dieser Inhalte und Anweisungen kann zum Verlust des Explosionsschutzes führen.

- ▶ Sicherheitshinweise in diesem Kapitel sowie weitere Explosionshinweise in dieser Betriebsanleitung beachten.
- ▶ Die Angaben der geltenden Baumusterprüfbescheinigung sowie die jeweiligen landesspezifischen Vorschriften zur Installation und Einsatz in explosionsgefährdeten Bereichen einhalten ((in Deutschland gemäß ExVo, BetrSichV, Produktsicherheitsgesetz und den besonderen Bedingungen der EG-Baumusterprüfbescheinigung).

Überprüfen, ob die Klassifizierung für den Einsatzfall geeignet ist. Die jeweiligen nationalen Vorschriften und Bestimmungen beachten.

ATEX **IECEX**

- II 1G Ex ia IIC T6 ... T4 Ga
- II 1/2G Ex ia IIC T6 ... T4 Ga/Gb
- II 2G Ex ia IIC T6 ... T4 Gb
- II 1D Ex ia IIIC T160 °C Da

Besondere Bedingungen für die Verwendung (X-Conditions)

1. Bei der Verwendung von Titan-Schwimmern ist die durch Aufschlag oder Reibung verursachte Zündgefahr zu vermeiden.
2. Bei der Verwendung von Kunststoff-Schwimmern besteht die Gefahr der Zündung durch elektrostatische Entladung. Betriebsanleitung des Herstellers beachten.

DE

4. Transport, Verpackung und Lagerung

4.1 Transport

Gerät auf eventuell vorhandene Transportschäden untersuchen.
Offensichtliche Schäden unverzüglich mitteilen.



VORSICHT!

Beschädigungen durch unsachgemäßen Transport

Bei unsachgemäßem Transport können Sachschäden in erheblicher Höhe entstehen.

- ▶ Beim Abladen der Packstücke bei Anlieferung sowie innerbetrieblichem Transport vorsichtig vorgehen und die Symbole auf der Verpackung beachten.
- ▶ Bei innerbetrieblichem Transport die Hinweise unter Kapitel 5.2 „Verpackung und Lagerung“ beachten.

4.2 Verpackung und Lagerung

Verpackung erst unmittelbar vor der Montage entfernen.

Die Verpackung aufbewahren, denn diese bietet bei einem Transport einen optimalen Schutz (z. B. wechselnder Einbauort, Reparatursendung).

5. Inbetriebnahme, Betrieb



GEFAHR!

Lebensgefahr durch Explosion!

Durch Arbeiten in entzündlichen Atmosphären besteht Explosionsgefahr, die zum Tod führen kann.

- ▶ Rüstarbeiten nur in nicht-explosionsgefährdeter Umgebung durchführen!



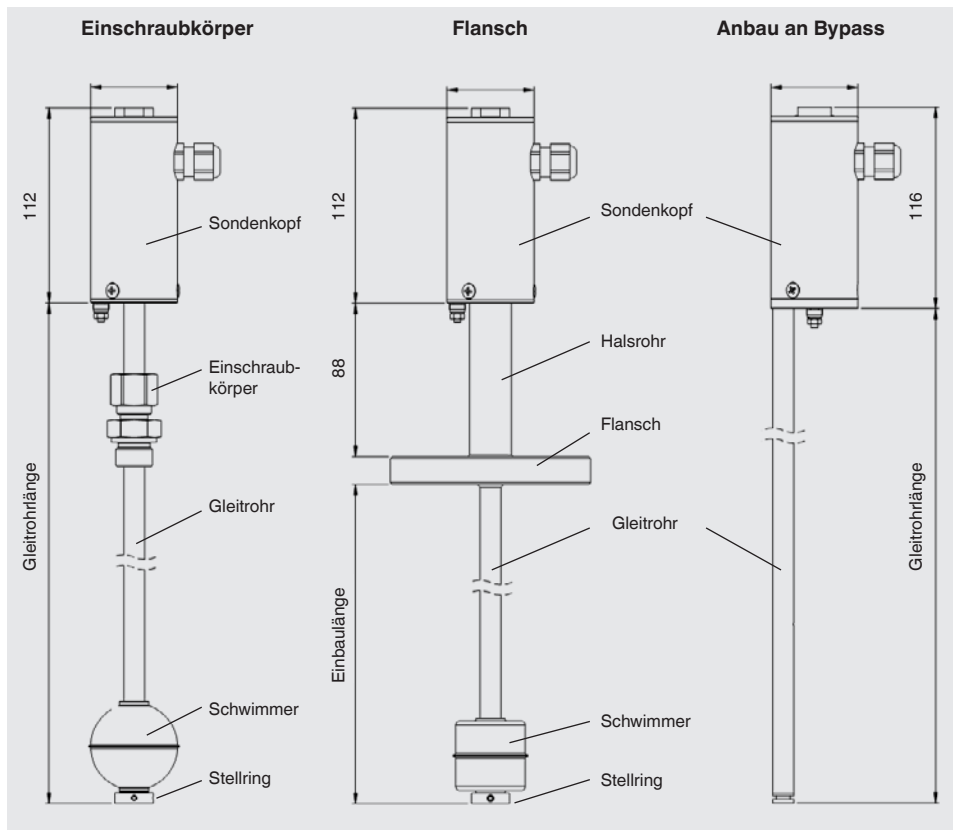
GEFAHR!

Verletzungsgefahr durch unsachgemäßes Arbeiten

Beim Arbeiten an Behältern besteht Vergiftungs- oder Erstickengefahr.

- ▶ Arbeiten dürfen nur unter Anwendung geeigneter Personenschutzmaßnahmen (z. B. Atemschutzgerät, Schutzkleidung o. Ä.) durchgeführt werden.
- ▶ Arbeiten am Gerät dürfen nur durch geschultes Fachpersonal erfolgen.

5.1 Montage



- Während der Montage darauf achten, dass das Gleitrohr nicht verbogen wird und dass der Schwimmer keinen Stoßbelastungen ausgesetzt ist.
- Der Einbau eines Füllstandstransmitters in Bereichen mit starkem externem Magnetfeld ist unzulässig, da hierdurch die korrekte Messwertermittlung behindert werden kann.
- Der Füllstandstransmitter kann auch von unten in den Behälter eingebaut werden. Ist der Behälter zusätzlich mit Druck beaufschlagt, dann beträgt die maximale Länge des Füllstandstransmitters 2 m.
- Wird der Schwimmer bei der Montage entfernt, muss er mit der Markierung „TOP“ in Richtung Sondenkopf wieder auf das Gleitrohr aufgeschoben werden, damit eine korrekte Messung erfolgen kann.

Angaben zur sicheren Montage

Die Montage darf nur spannungslos durchgeführt werden!

Vor der Installation kann es notwendig sein den/die Schwimmer zu demontieren. Beim Zusammenbau darauf achten, dass der/die Schwimmer in der korrekten Position auf dem Sensorrohr montiert ist/sind.

Nur beim ...LM-...I mit Schraubklemmen ist das Öffnen des Sensorkopfes vorgesehen.

Angaben zur sicheren Installation

Die Installation darf nur spannungslos erfolgen. Besondere Vorschriften u. a. EN 60079-14 bzw. die örtlichen Errichtungsvorschriften beachten.

Wird der Füllstandstransmitter mit Einschraubkörper geliefert, dann ist das Gewinde des Einschraubkörpers mit geeignetem Dichtmaterial zu versehen, in die vorhandene Muffe einzuschrauben und festzuziehen. Wird der Füllstandstransmitter ohne Prozessanschluss geliefert, ist der Betreiber für die Einhaltung der Ex-Anforderungen verantwortlich.

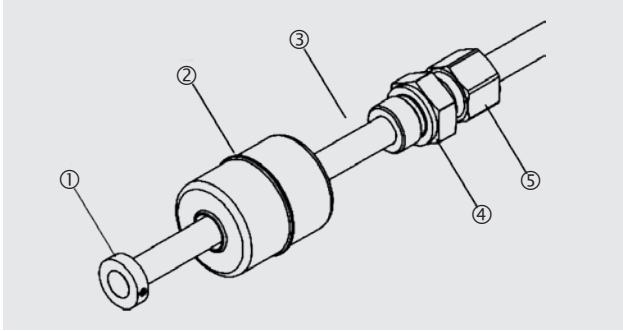
Allgemeiner Hinweis (siehe auch EN 60079-26, Abschnitt 4.3)

Wenn der Füllstandstransmitter in die Grenz wand zwischen Zone 0 und Zone 1 errichtet wird, muss sichergestellt sein, dass nach dem Einbau ein genügend dichter Spalt (IP66 oder IP67) erreicht wird.

Durch den Prozessanschluss kann es zu einer Öffnung in der Trennwand zu dem Bereich, der EPL „Ga“ erfordert, kommen. Es besteht dann die Gefahr der Freisetzung brennbarer Gase und des Flammendurchschlages.

5. Inbetriebnahme, Betrieb

5.1.1 Ausführung „Einschraubkörper“



Die Demontage des Schwimmers ist nur dann notwendig, wenn der Schwimmer nicht durch die Montageöffnung im Behälter passt. Andernfalls sind lediglich die Montageschritte 3, 6 und ggf. 7 durchzuführen.

Einsetzen des Füllstandstransmitters in den Behälter:

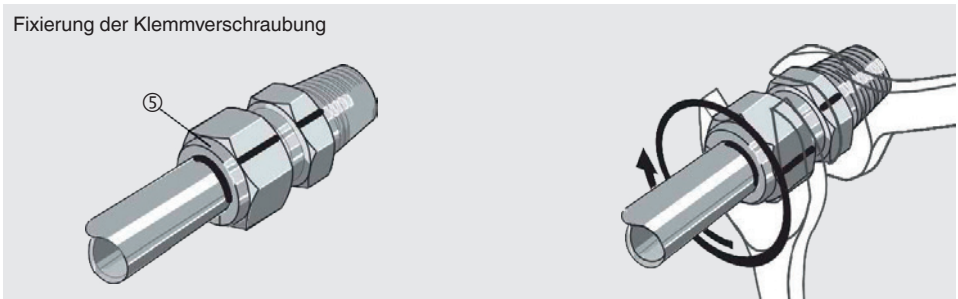
1. Beide Gewindestifte lösen, Stellingring ① entfernen und Schwimmer ② vom Gleitrohr ③ abnehmen.
2. Ggf. Einschraubkörper ④ auf das Gleitrohr aufschieben.
3. Füllstandstransmitter in den Behälter einsetzen, Einschraubgewinde ④ mit geeignetem Dichtmaterial versehen, einschrauben und festziehen.
4. Schwimmer ② wieder auf das Gleitrohr ③ aufschieben.



Der Schwimmer muss mit der Markierung „TOP“ in Richtung Sondenkopf auf das Gleitrohr aufgeschoben werden, damit eine korrekte Messung erfolgen kann.

5. Stellingring ① wieder aufstecken, Gewindestifte über der Nut positionieren und festziehen.
6. Prozessanschluss in seiner Höhe positionieren und Überwurfmutter ⑤ mit der Hand fingerfest anziehen.
7. Überwurfmutter ⑤ mit Schraubenschlüssel durch eine 1 ¼-Umdrehung fixieren (siehe folgende Abbildung).

Fixierung der Klemmverschraubung



5.1.2 Ausführung „Flansch“

Das Gleitrohr ist fest mit dem Flansch verschweißt, die Einbaulänge kann somit nicht verändert werden.

Flansch und Flanschdichtung mit den Flanschschrauben bzw. -muttern befestigen. Die Schrauben bzw. Muttern und Dichtungen liegen im Verantwortungsbereich des Betreibers und sind in Abhängigkeit des Messstoffes zu wählen. Die Befestigungsmittel und Dichtungen müssen die Anforderungen der Normen EN 1092-1, EN 1514 bzw. EN 1515 erfüllen.

Sollte der Schwimmer nicht durch die Montageöffnung passen, siehe Montageanweisung Kapitel 5.1.1 „Ausführung „Einschraubkörper““.

5.1.3 Ausführung „Anbau an Bypass“

Der Füllstandstransmitter wird mit geeignetem Befestigungsmaterial (unmagnetisch) außen am Bypassrohr montiert (siehe nachfolgende Abbildung).

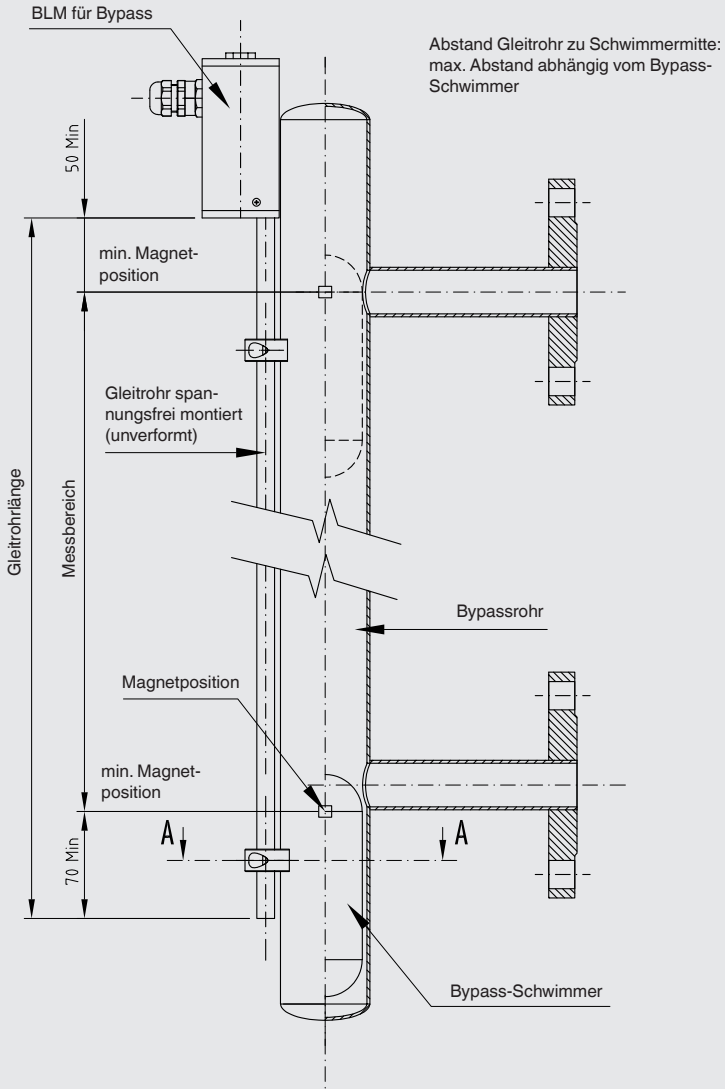


Damit eine zuverlässige Messung gewährleistet ist, muss das Gleitrohr spannungsfrei ohne äußere Verformungen montiert werden.

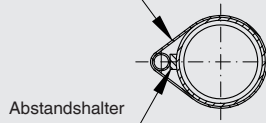
- ▶ Der Abstand zwischen Gleit- und Bypassrohr muss möglichst gering sein.
- ▶ Es können nur von uns freigegebene Schwimmer verwendet werden.

5. Inbetriebnahme, Betrieb

Montage mit Bypass



Sonderbefestigung
(unmagnetisch)

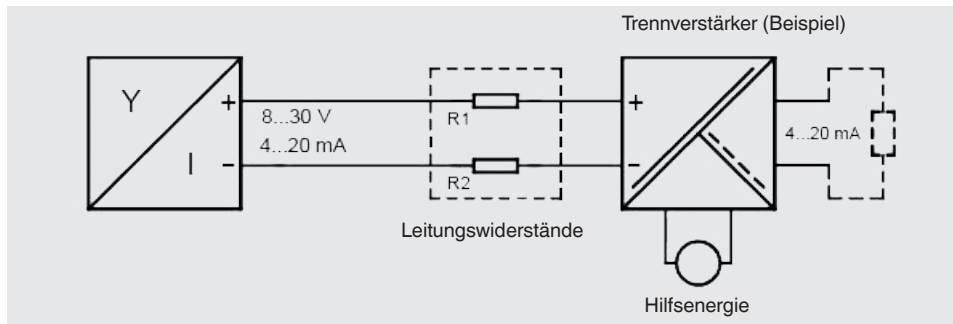


Schnitt A-A

DE

5.2 Elektrischer Anschluss

5.2.1 Anschlussplan (Ex)



Vor der Inbetriebnahme alle Geräte auf richtigen Anschluss und Einbau prüfen. Die elektrische Versorgung, auch der angeschlossenen Geräte, kontrollieren.

Spannungsquelle $U_{\max} = \text{DC } 30 \text{ V}$

Mindest-Hilfsenergie $U_{\min} = 8 \text{ V}$

Gesamtwiderstand (inkl. Leitungswiderstände und Bürde) $\Sigma R = (U - U_{\min}) / 0,0215 \text{ A}$

Der Füllstandstransmitter darf in explosionsgefährdeter Umgebung in der eigensicheren Ausführung ausschließlich an Trennverstärker angeschlossen werden, die von einer anerkannten Prüfstelle bescheinigt sind und deren elektrische Ausgangsdaten die folgenden Bedingungen erfüllen:

$U_0 \leq 30 \text{ V}$

$I_0 \leq 100 \text{ mA} / 200 \text{ mA}^1)$

$P_0 \leq 1 \text{ W}$

► Weitere Daten siehe EG-Baumusterprüfbescheinigung unter www.wika.de.

1) Der zulässige Eingangsstrom I_0 ist abhängig von der Umgebungstemperatur T_a .

Sicherstellen, dass die zulässige äußere Kapazität C_0 und Induktivität L_0 des Trennverstärkers nicht überschritten wird, wenn der Füllstandstransmitter in explosionsgefährdeter Umgebung eingesetzt wird (siehe Kapitel 6 „Sicherheitstechnische Kennwerte“).

Das Verbindungskabel zum Trennverstärker muss bei Anwendungen in explosionsgefährdeter Umgebung gekennzeichnet sein - vorzugsweise als blaues Kabel für eigensichere Stromkreise.

► Anschluss des Kabels siehe Kapitel 5.2.3 „Verdrahtung bei Kabelverschraubung“ bzw. 5.2.4 „Verdrahtung bei M12-Stecker“)

Gemäß den Anforderungen an die Durchschlagsfestigkeit nach EN 60079-11, Abschnitt 6.3.13 besteht Übereinstimmung mit der Isolationsprüfung zwischen dem eigensicheren Stromkreis und dem Chassis des Füllstandsensors mit einer Spannung von AC 500 V.

5.2.2 Kabellänge

Die maximale Kabellänge ist abhängig vom Gesamtwiderstand, der sich aus den Leitungswiderständen und der Bürde angeschlossener Geräte zusammensetzt (siehe Kapitel 5.2.1 „Anschlussplan (Ex)“).

Das Kabel (Länge und Querschnitt) muss so gewählt werden, dass die sondenspezifische Mindest-Hilfsenergie (8 V) im Falle der höchsten Stromaufnahme (21,5 mA) nicht unterschritten wird.

Sicherstellen, dass bei Anwendung in explosionsgefährdeten Bereichen die zulässige äußere Kapazität C_0 und Induktivität L_0 des zugehörigen Betriebsmittels nicht überschritten wird (siehe Kapitel 6 „Sicherheitstechnische Kennwerte“).

Maximale Gesamtwiderstände bei unterschiedlichen Hilfsenergien sowie Kabelwiderständen bei verschiedenen Querschnitten:

Hilfsenergie in V	Max. Gesamt-widerstand Ω	Kabelquerschnitt in mm^2	Kabelwiderstand pro m Kupferkabel in Ω/m
12 (-5 %)	158	0,5	0,0356
		1,0	0,0178
		1,5	0,0119
24 (-5 %)	688	0,5	0,0356
		1,0	0,0178
		1,5	0,0119

Die maximale Kabellänge wird wie folgt berechnet:

$$L = \left(\left(\frac{U - U_{\min}}{I_{\max}} \right) - R_B \right) / R_Q$$

L = Kabellänge in m

U = Hilfsenergie V (mit negativem Toleranzwert -5 %)

U_{\min} = Mindest-Hilfsenergie V = 8 V

I_{\max} = höchste Stromaufnahme A = 0,0215 A

R_B = Bürde

R_Q = Kabelwiderstand Kupferkabel (pro m) in Ω/m bei Kabelquerschnitt Q in mm^2

Beispiel:

Hilfsenergie: 12 V ($\pm 5\%$)

Hilfsenergie $U = 11,4\text{ V}$ (12 V - 5 %)

Mindest-Hilfsenergie $U_{\min} = 8\text{ V}$

Höchste Stromaufnahme $I_{\max} = 0,0215\text{ A}$

Bürde $R_B = 86,8\ \Omega$

Kabelwiderstand $R_Q = 0,0356\ \Omega/\text{m}$ bei Kabelquerschnitt $Q = 0,5\text{ mm}^2$

$$L = \left(\left(\frac{11,4 - 8}{0,0215} \right) - 86,8 \right) / 0,0356 = 2000\text{ m}$$

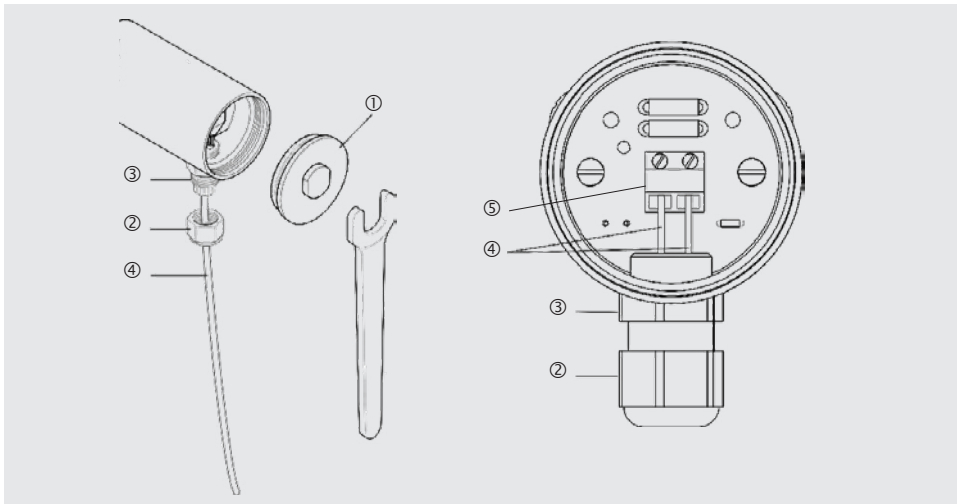
Ein Kabel mit Hin- und Rückleitung (2-adrig) kann also maximal 1.000 m lang sein.

5.2.3 Verdrahtung bei Kabelverschraubung

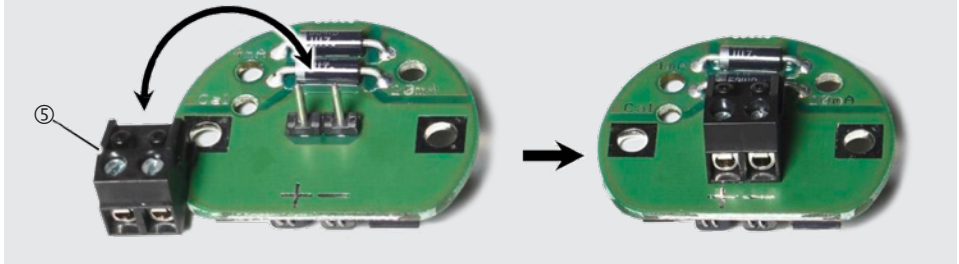
Die Verdrahtung darf nur spannungslos erfolgen.

Verdrahtung des Füllstandstransmitters wie folgt durchführen:

1. Sondenkopfdeckel ① mit Hilfe eines Gabelschlüssels abschrauben.
2. Überwurfmutter ② der Kabelverschraubung ③ lösen.



Abziehbare Schraubklemme



- 2-adriges Kabel ④ in die Überwurfmutter ② einfädeln und festschrauben (Außendurchmesser: 5 ... 10 mm).
- Schraubklemme ⑤ abziehen.
- 2-adriges Kabel ④ an die mit (+) und (-) gekennzeichneten Pole an der Schraubklemme ⑤ anschließen.
- Schraubklemme ⑤ wieder aufstecken. Das Kabel darf keine Zugkraft haben!
- Falls erforderlich, Referenzpunkte einstellen (siehe Kapitel 5.3.1 „Messbereichsspanne am Füllstandstransmitter“).
- Sondenkopfdeckel ① wieder aufschrauben.

Über den Erdungsanschluss an der Unterseite des Sondenkopfes kann die Erdung bzw. der Potentialausgleich vorgenommen werden.



VORSICHT!

Beschädigung durch unsachgemäße Montage

Der Sondenkopf und die Elektronik kann durch eindringendes Wasser beschädigt werden.

- ▶ Sondenkopf vor eindringendem Wasser schützen. Eine sichere Abdichtung der Kabeleinführung ist bei einem Kabel-Außendurchmesser von 5 ... 10 mm gewährleistet.
- ▶ Kabelverschraubung und Sondenkopfdeckel fest verschrauben.

5.2.4 Verdrahtung bei M12-Stecker

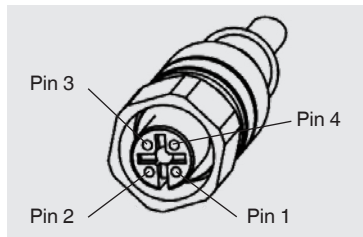
Die Verdrahtung darf nur spannungslos erfolgen.

Falls noch nicht verbunden, die Kupplung des Anschlusskabels auf den M12-Stecker des Sondenkopfes stecken. Überwurfmutter des M12-Steckers erst handfest festdrehen und die Mutter dann mit einem Gabelschlüssel durch eine 180°-Drehung sichern. Das Anzugsdrehmoment sollte zwischen 100 ... 150 cNm liegen.

5. Inbetriebnahme, Betrieb

Bei den Füllstandstransmittern mit Schraubklemmen Typ ...LM-...AI lautet die Klemmenbezeichnung „+“ und „-“. Bei den Füllstandstransmittern mit M12-Stecker lauten die Anschlussbelegungen wie folgt:

Signal	Farbkodierung	Belegung
Spannung +	Braun	Pin 1
Nicht genutzt	Weiß	Pin 2
Spannung -	Blau	Pin 3
Nicht genutzt	Schwarz	Pin 4



DE

Anschlussbelegung der Kupplung des WIKA-Anschlusskabels

Eigenschaften für Anschlusskabel zwischen Füllstandstransmitter und zugehörigem Betriebsmittel:

- 2-adriges, nicht abgeschirmtes Kabel
- Farbe blau oder blau gekennzeichnet (Kabel für eigensichere Stromkreise)

Die Erdung bzw. den Potentialausgleich durch den Errichter gemäß der jeweils national gültigen Errichtungsvorschrift vornehmen. Der Erdungsanschluss des Sondenkopfes kann für die Erdung bzw. den Potentialausgleich verwendet werden. Bitte auch die allgemeinen Errichtungsvorschriften beachten.

Die Sensoren müssen in den Potentialausgleich des explosionsgefährdeten Bereiches eingebunden werden. Für die Einbindung der Füllstandstransmitter in den Potentialausgleich ist eine PA-Anschlussklemme am Sensorkopf vorhanden.

Allgemeiner Hinweis (siehe auch EN 60079-14:2014, Abschnitt 6.4.1)

Körper elektrischer Betriebsmittel müssen nicht gesondert an das Potentialausgleichssystem angeschlossen werden, wenn sie festen und gesicherten metallischen Kontakt mit Konstruktionsteilen oder Rohrleitungen haben, die ihrerseits mit dem Potentialausgleichssystem verbunden sind.

5.3 Justierung

Die im Folgenden beschriebenen Einstellungen lassen sich bei Varianten mit HART®-Protokoll auch bequem per Remote durchführen, ohne dass hierfür der Sondenkopf geöffnet werden muss.

5.3.1 Messbereichsspanne am Füllstandstransmitter

Zur Justierung des 4 mA- und 20 mA-Punktes am Füllstandstransmitter dienen zwei Tasten (② und ③) und eine Leuchtdiode (LED) im Anschlussbereich des Sondenkopfes.

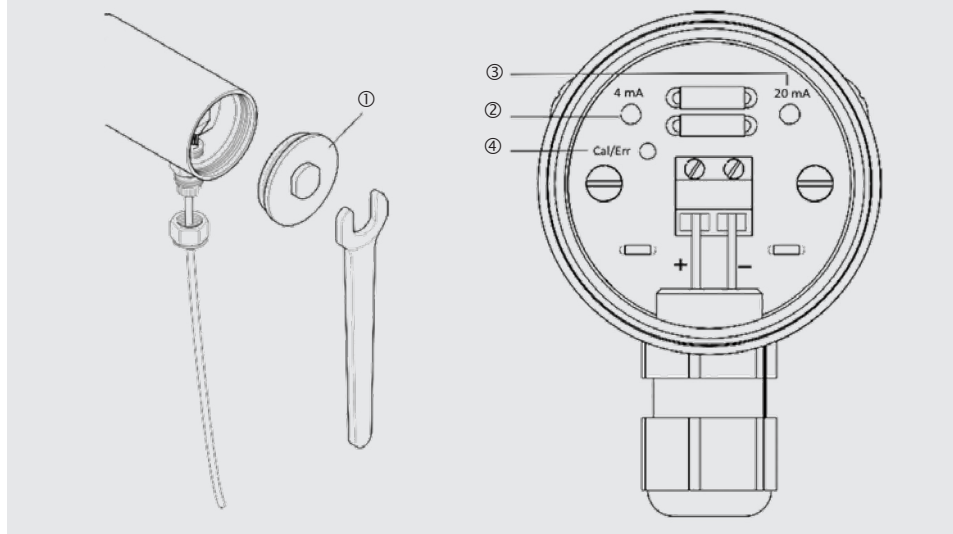
Maximale Messbereichsspanne (werkseitig):

4 mA am Sondenfuß und 20 mA am Sondenkopf

Die Messbereichsspanne kann zur Anpassung an den jeweiligen Behälter individuell eingestellt werden. Mindestabstand von 10 mm jedoch nicht unterschreiten! Wird dieser Mindestabstand unterschritten, kehrt sich die Anzeigerichtung des Füllstandstransmitters automatisch um (Leermengenmessung).

Durch die Justierung kann der Messwert auch invers ausgegeben werden, z. B. kann der Füllstandstransmitter auf die maximale Messbereichsspanne mit 4 mA am Sondenkopf und 20 mA am Sondenfuß eingestellt werden.

Justierung der Messbereichsspanne



1. Sondenkopfdeckel ① mit Hilfe eines Gabelschlüssels abschrauben.
2. 4 mA-Taste ② oder 20 mA-Taste ③ für einen Zeitraum von mindestens 3 Sekunden gedrückt halten. Die grüne LED beginnt zu blinken.

3. Der Füllstandstransmitter befindet sich nun im Justiermodus. Die Stromaufnahme des Füllstandstransmitters beträgt 12 mA. Ohne erneuten Tastendruck bleibt der Füllstandstransmitter für 20 Sekunden im Justiermodus, bevor er dann ohne Ändern der Justierung zurück in den Messmodus wechselt. Im Justiermodus können nun der 4 mA- und der 20 mA-Referenzpunkt oder beide in beliebiger Reihenfolge verändert werden.
4. Festlegen eines Referenzpunktes: Schwimmer an den gewünschten Referenzpunkt bewegen und
 - kurz (0,1 ... 2 Sekunden) auf die Taste „4 mA“ ② drücken, um eine Stromaufnahme von 4 mA an dieser Position festzulegen.
 - kurz (0,1 ... 2 Sekunden) auf die Taste „20 mA“ ③ drücken, um eine Stromaufnahme von 20 mA an dieser Position festzulegen.



Nach Drücken der Taste „4 mA“ erlischt die LED für 5 Sekunden, nach Drücken der Taste „20 mA“ leuchtet die LED für 5 Sekunden permanent.

Anschließend verbleibt der Sensor für weitere 15 Sekunden im Justiermodus, bevor er die Änderung abspeichert und in den Messmodus wechselt.

Die Justierung des Messbereichs wird erst dann gespeichert, wenn der Füllstandstransmitter selbsttätig vom Justiermodus in den Messmodus wechselt und die LED erlischt. Die Justierung bleibt erhalten, auch wenn der Füllstandstransmitter anschließend von der Stromversorgung getrennt wird.

Um bei Bypass-Sensoren die Einstellung „trocken“ vornehmen zu können, benötigt man vom Hersteller des Bypasses ein Magnetsystem mit Abstandhalter. Die Justierung kann dann auch am demontierten Sensor erfolgen.

5.3.2 Stromaufnahme im Fehlermodus

Kann der Füllstandstransmitter aufgrund einer Störung keine sinnvolle Schwimmerposition, d.h. keinen korrekten Füllstand erfassen, wechselt er nach kurzer Zeit in einen Fehlermodus. Die Signalisierung des Fehlermodus entspricht der NAMUR NE43 und ist werkseitig auf 21,5 mA eingestellt, kann aber auch auf 3,6 mA festgelegt werden.

Zur Justierung der Stromaufnahme im Fehlermodus siehe Abbildung Seite 58.

1. Sondenkopfdeckel ① mit Hilfe eines Gabelschlüssels abschrauben.
2. Beide Tasten „4 mA“ ② und „20 mA“ ③ gleichzeitig über einen Zeitraum von mindestens 3 Sekunden gedrückt halten.

Die grüne LED ④ „Cal/Err“ blinkt schnell. Die Stromaufnahme des Füllstandstransmitters beträgt 16 mA. Nach 5 Sekunden blinkt die LED nicht mehr und zeigt für 2,5 Sekunden die eingestellte Fehlerstromaufnahme an. Leuchtet die LED permanent, so beträgt $I_{\text{Fehler}} = 21,5 \text{ mA}$, erlischt die LED, so beträgt $I_{\text{Fehler}} = 3,6 \text{ mA}$. Ohne erneuten Tastendruck bleibt der Füllstandstransmitter für weitere 2,5 Sekunden im Fehlermodus bevor er ohne Ändern der Einstellung zurück in den Messmodus wechseln würde.

5. Inbetriebnahme ... / 6. Sicherheitstechnische Kennwerte

3. Zur Einstellung einer Stromaufnahme

- von 3,6 mA während der Verweilzeit (10 Sekunden) im Fehlermodus kurz auf die Taste „4 mA“ ② drücken (0,1 ... 2 Sekunden).
- von 21,5 mA während der Verweilzeit (10 Sekunden) im Fehlermodus kurz auf die Taste „20 mA“ ③ drücken (0,1 ... 2 Sekunden).



Die Justierung des Messbereichs wird erst dann gespeichert, wenn der Füllstandstransmitter selbsttätig vom Justiermodus in den Messmodus wechselt und die LED erlischt. Die Justierung bleibt erhalten, auch wenn der Füllstandstransmitter anschließend von der Stromversorgung getrennt wird.

4. Sondenkopfdeckel ① wieder aufschrauben.

Stellt der Füllstandstransmitter im Betrieb fest, dass ein korrektes Ausgeben des Füllstandes aufgrund einer zu niedrigen Hilfsenergie nicht möglich ist so wechselt er in den Fehlermodus und setzt die Stromaufnahme (unabhängig von den vorgenommenen Fehlerstromereinstellungen) auf 3,6 mA.

6. Sicherheitstechnische Kennwerte

Für den Anschluss des Füllstandstransmitters an einen bescheinigten eigensicheren Stromkreis gelten folgende Höchstwerte:

$$U_i = 30 \text{ V}$$

$$I_i = 100 \text{ mA} / 200 \text{ mA} \text{ } ^1)$$

$$P_i = 1 \text{ W}$$

$$L_i = 20 \text{ } \mu\text{H}$$

$$C_i = 10 \text{ nF}$$

1) Der zulässige Eingangsstrom I_i ist abhängige von der Umgebungstemperatur T_a .

6. Sicherheitstechnische Kennwerte

Beim Einsatz in gasexplosionsgefährdeten Bereichen die maximalen Temperaturen, in Abhängigkeit der Temperaturklasse und der Kategorie bzw. des Geräteschutzniveaus, der Temperaturtabelle 1 entnehmen:

Temperaturtabelle 1: Betriebstemperaturen der Füllstandstransmitter

Temperaturklasse	T _a	T _f
Kategorie 1G bzw. Geräteschutzniveau Ga (Füllstandstransmitter komplett in Zone 0 errichtet)		
T6	I _i ≤ 100 mA: -20 ... +40 °C I _i ≤ 200 mA: -20 ... +25 °C	
T5	I _i ≤ 100 mA: -20 ... +55 °C I _i ≤ 200 mA: -20 ... +40 °C	
T4, T3, T2, T1	-20 ... +60 °C	
Kategorie 1/2G bzw. Geräteschutzniveau Ga/Gb (Sensorkopf in Zone 1, Sensorrohr in Zone 0 errichtet)		
T6	I _i ≤ 100 mA: -40 ... +55 °C I _i ≤ 200 mA: -40 ... +40 °C	I _i ≤ 100 mA: -20 ... +40 °C I _i ≤ 200 mA: -20 ... +25 °C
T5	I _i ≤ 100 mA: -40 ... +55 °C I _i ≤ 200 mA: -40 ... +40 °C	I _i ≤ 100 mA: -20 ... +55 °C I _i ≤ 200 mA: -20 ... +40 °C
T4, T3, T2, T1	I _i ≤ 100 mA: -40 ... +85 °C I _i ≤ 200 mA: -40 ... +70 °C	-20 ... +60 °C
Kategorie 2G bzw. Geräteschutzniveau Gb (Füllstandstransmitter komplett in Zone 1 errichtet)		
T6	I _i ≤ 100 mA: -40 ... +40 °C I _i ≤ 200 mA: -40 ... +25 °C	-40 ... +85 °C
T5	I _i ≤ 100 mA: -40 ... +55 °C I _i ≤ 200 mA: -40 ... +40 °C	-40 ... +100 °C
T4	I _i ≤ 100 mA: -40 ... +85 °C I _i ≤ 200 mA: -40 ... +70 °C	-40 ... +135 °C
T3		-40 ... +200 °C
T2		-40 ... +300 °C
T1		-40 ... +450 °C

Für den Einsatz in Kategorie 1G bzw. 1/2G gilt

Der Prozessdruck der Medien muss bei Vorliegen von explosionsfähigen Dampf-Luftgemischen zwischen 0,8 bar und 1,1 bar liegen. Liegen keine explosionsfähigen Gemische vor, dürfen die Geräte auch außerhalb dieses Bereiches gemäß ihrer Herstellerspezifikation betrieben werden.

Es muss durch geeignete Maßnahmen sichergestellt werden, dass an keinem Punkt des Sensorkopfes, die Temperatur (T_a) für die jeweilige Temperaturklasse überstiegen wird.

6. Sicherheitstechnische Kennwerte / 7. Störungen

Allgemeiner Hinweis (siehe auch EN IEC 60079-0, Abschnitt 1)

Zone 0 ist nur unter atmosphärischen Bedingungen gegeben

Temperaturbereich: -20 ... +60 °C

Druckbereich: 0,8 ... 1,1 bar

Oxydationsmittel: Luft (Sauerstoffgehalt ca. 21 %)

Beim Einsatz in staubexplosionsgefährdeten Bereichen die maximalen Umgebungstemperaturen, in Abhängigkeit der maximalen Oberflächentemperatur und der Staubschicht, der Temperaturtabelle 2 entnehmen.

Temperaturtabelle 2: Betriebstemperaturen für staubexplosionsgefährdete Bereiche

Maximale Oberflächentemperatur		Umgebungstemperatur T_a
Staubschicht ≤ 5 mm	Mit Staubüberschüttung	
$T_a + 75$ °C	EN 60079-14 beachten	-40 ... +85 °C

7. Störungen



GEFAHR!

Lebensgefahr durch Explosion

Durch Arbeiten in entzündlichen Atmosphären besteht Explosionsgefahr, die zum Tod führen kann.

- ▶ Störungen nur in nicht-entzündlichen Atmosphären beseitigen!



VORSICHT!

Körperverletzungen, Sach- und Umweltschäden

Können Störungen mit Hilfe der aufgeführten Maßnahmen nicht beseitigt werden, Gerät unverzüglich außer Betrieb setzen.

- ▶ Sicherstellen, dass kein Druck mehr anliegt und gegen versehentliche Inbetriebnahme schützen.
- ▶ Kontakt mit dem Hersteller aufnehmen.
- ▶ Bei notwendiger Rücksendung die Hinweise unter Kapitel 9.2 „Rücksendung“ beachten.



Kontaktdaten siehe Kapitel 1 „Allgemeines“ oder Rückseite der Betriebsanleitung.

7. Störungen

In der folgenden Tabelle sind die häufigsten Fehlerursachen und erforderliche Gegenmaßnahmen aufgeführt.

Störungen	Ursachen	Maßnahmen
Keine oder undefinierte Funktion	Falsche Klemmenbelegung	Anschlussbild vergleichen
	Isolation untergeklemt	Klemmen kontrollieren
	Stellringe verschoben oder nach dem Entfernen vom Gleitrohr falsch aufgesetzt	Lage des Stellringes kontrollieren
Falsche 0 ... 100 %-Werte	Schwimmer falsch aufgesetzt	Schwimmer umdrehen
	Falsche Vorgaben bei der Bestellung	Hersteller kontaktieren
	Wellenleiter durch mechanische Einwirkung defekt	Rücksendung an Hersteller
	Falsch justiert	Neu justieren oder Hersteller kontaktieren
Der Transmitter lässt sich nicht an der vorgesehenen Stelle im Behälter befestigen	Gewindegröße und Flanschgröße des Füllstandstransmitters und Behälters stimmen nicht überein	Umbau des Behälter oder Umbau des Füllstandstransmitters im Werk
	Gewinde der Befestigungsmuffe am Behälter defekt	Nacharbeiten des Gewindes oder Austausch der Befestigungsmuffe
	Einschraubgewinde am Füllstandstransmitter defekt	Rücksendung an Hersteller

DE

8. Wartung und Reinigung



Kontaktaten siehe Kapitel 1 „Allgemeines“ oder Rückseite der Betriebsanleitung.

8.1 Wartung

Die Magnetostraktiv-Füllstandstransmitter arbeiten bei bestimmungsgemäßem Gebrauch wartungsfrei. Sie sind jedoch im Rahmen der regelmäßigen Wartung einer Sichtkontrolle zu unterziehen und in die Druckprüfung des Behälters mit einzubeziehen.



GEFAHR!

Verletzungsgefahr durch unsachgemäßes Arbeiten

Beim Arbeiten an Behältern besteht Vergiftungs- oder Erstickungsgefahr.

- ▶ Arbeiten dürfen nur unter Anwendung geeigneter Personenschutzmaßnahmen (z. B. Atemschutzgerät, Schutzkleidung o. Ä.) durchgeführt werden.
- ▶ Arbeiten am Gerät dürfen nur durch geschultes Fachpersonal erfolgen.

Reparaturen sind ausschließlich vom Hersteller durchzuführen.



Die Funktion der Magnetostraktiv-Füllstandstransmitter kann nur bei Verwendung von Originalzubehör und Ersatzteilen gewährleistet werden.

8.2 Reinigung



VORSICHT!

Körperverletzungen, Sach- und Umweltschäden

Eine unsachgemäße Reinigung führt zu Körperverletzungen, Sach- und Umweltschäden. Messstoffreste im ausgebauten Gerät können zur Gefährdung von Personen, Umwelt und Einrichtung führen.

- ▶ Ausgebautes Gerät spülen bzw. säubern.
- ▶ Ausreichende Vorsichtsmaßnahmen ergreifen.

1. Vor der Reinigung das Gerät ordnungsgemäß vom Prozess und der Stromversorgung trennen.
2. Das Gerät vorsichtig mit einem feuchten Tuch reinigen.
Elektrische Anschlüsse nicht mit Feuchtigkeit in Berührung bringen!



VORSICHT!

Sachbeschädigung

Eine unsachgemäße Reinigung führt zur Beschädigung des Gerätes!

- ▶ Keine aggressiven Reinigungsmittel verwenden.
- ▶ Keine harten und spitzen Gegenstände zur Reinigung verwenden.

3. Ausgebautes Gerät spülen bzw. säubern, um Personen und Umwelt vor Gefährdung durch anhaftende Messstoffreste zu schützen.

9. Demontage, Rücksendung und Entsorgung



WARNUNG!

Körperverletzungen, Sach- und Umweltschäden durch Messstoffreste

Messstoffreste im ausgebauten Gerät können zur Gefährdung von Personen, Umwelt und Einrichtung führen.

- ▶ Ausgebautes Gerät spülen bzw. säubern, um Personen und Umwelt vor Gefährdung durch anhaftende Messstoffreste zu schützen.

9.1 Demontage

Messgerät nur im drucklosen und spannungsfreiem Zustand demontieren!

Nur beim ...LM-...I mit Schraubklemmen ist das Öffnen des Sensorkopfes vorgesehen. Eine weitere Demontage würde den Füllstandstransmitter möglicherweise beschädigen und die Zulassung erlöschen.

9.2 Rücksendung



Vor der Rücksendung ist eine Freigabe durch unseren Kundendienst erforderlich. Hierzu den Kundenberater oder Kundendienst kontaktieren, der über die Details der Rücksendung informiert.

Ausgebauten Magnetostraktiv-Füllstandstransmitter vor der Rücksendung spülen bzw. säubern, um Mitarbeiter und Umwelt vor Gefährdung durch anhaftende Messstoffreste zu schützen.



Hinweise zur Rücksendung befinden sich in der Rubrik „Service“ auf unserer lokalen Internetseite.

9.3 Entsorgung

Durch falsche Entsorgung können Gefahren für die Umwelt entstehen.

Gerätekomponenten und Verpackungsmaterialien entsprechend den landesspezifischen Abfallbehandlungs- und Entsorgungsvorschriften umweltgerecht entsorgen.

10. Technische Daten

10.1 Typ FLM-CAI

Magnetostruktiv-Füllstandstransmitter

Gleitrohr	<ul style="list-style-type: none"> ■ Ø 6 mm (max. 1.000 mm) ■ Ø 12 mm (max. 3.000 mm)
Prozessanschluss	Einschraubgewinde nach unten <ul style="list-style-type: none"> ■ G 1/2 ... G 2 ■ 1/2 NPT ... 2 NPT Montageflansch <ul style="list-style-type: none"> ■ ANSI 1/2" ... 2 1/2", Class 150 ... 600 ■ EN DN 20 ... DN 65, PN 6 ... PN 100 ■ DIN DN 20 ... DN 65, PN 6 ... PN 100 Weitere Prozessanschlüsse auf Anfrage
Werkstoffe	
Messstoffberührte Teile	CrNi-Stahl 1.4571 (316Ti)
Anschlusskopf	CrNi-Stahl 1.4305 (303)
Einbaulänge	
Gleitrohr Ø 6 mm	100 ... 1.000 mm
Gleitrohr Ø 12 mm	100 ... 3.000 mm
Messgenauigkeit	±1,25 mm
Auflösung	0,1 mm
Elektrischer Anschluss	Anschlussklemmen max. 1,5 mm ²
Hilfsenergie	DC 8 ... 30 V
Ausgangssignal	<ul style="list-style-type: none"> ■ 4 ... 20 mA (NAMUR NE43) ■ HART® Ver. 6
Vibrationsbeständige Ausführung (Option)	bis 4 g (nur für Gleitrohr Ø 12 mm)
Betriebsdruck	Abhängig vom Schwimmer, max. 40 bar
Betriebstemperatur	
Gleitrohr Ø 6 mm	-40 ... +125 °C
Gleitrohr Ø 12 mm	-40 ... +250 °C
Umgebungstemperatur	-40 ... +85 °C
Schutzart nach EN 60529	IP68
Konfiguration	
Version ohne HART®-Protokoll	Über zwei eingebaute Tasten im Anschlussgehäuse
Version mit HART®-Protokoll	Über zwei eingebaute Tasten, HART®-Kommunikator oder HART®-Schnittstelle im Anschlussgehäuse

Weitere technische Daten siehe Datenblatt LM 20.04 und Bestellunterlagen.

10. Technische Daten

10.2 Typ FLM-TAI

	Einschraubgewinde	Flansch
Elektrischer Anschluss	Sensorgehäuse, Werkstoff CrNi-Stahl 1.4301	
Prozessanschluss	Einschraubgewinde nach unten G 1 1/2 oder G 2	Montageflansch <ul style="list-style-type: none"> ■ DIN DN 50 ... DN 200, PN 6 ... PN 100 ■ ANSI 2" ... 8", Class 150 ... 600
Max. Gleitrohrlänge L		
Gleitrohr-Ø 12 mm	3.000 mm	
Gleitrohr-Ø 18 mm	6.000 mm	
Schwimmer	Werkstoff: CrNi-Stahl 1.4571 (Option: Titan) Schwimmerdurchmesser von 44 ... 120 mm Schwimmerauswahl nach Gleitrohr-Ø und Prozessbedingungen (siehe Datenblatt LM 20.01, Seite 8 / 9)	
Max. Betriebsdruck	40 bar (100 bar mit Schwimmer aus Titan) → siehe Datenblatt LM 20.01, Tabelle Seite 8	
Temperaturbereich		
Messstoff (Standard)		
Hochtemperaturlösung	-45 ... +450 °C	
Tieftemperaturlösung	-90 ... +125 °C	
Umgebungstemperatur	-40 ... +85 °C	
Ausgangssignal	4 ... 20 mA, HART®	
Hilfsenergie	DC 10 ... 30 V	
Messgenauigkeit	< ±0,5 mm	
Auflösung	< 0,1 mm	
Bürde	max. 900 Ω bei 30 V	
Einbaulage	Vertikal ±30°	
Schutzart	IP68 nach IEC/EN 60529	

DE

Weitere technische Daten siehe Datenblatt LM 20.01 und Bestellunterlagen.

10. Technische Daten

10.3 Typ BLM-TAI

Technische Daten	
Anschlussgehäuse (Sensorgehäuse)	CrNi-Stahl 1.4305, optional CrNi-Stahl 1.4404
Geberrohr (Sensorrohr)	CrNi-Stahl 1.4571, optional CrNi-Stahl 1.4404 Rohr-Ø 12 mm, Rohrlänge L max. 6.000 mm
Messstofftemperatur	-60 ... +450 °C
Umgebungstemperatur	T4/T5/T6: -40 ... +85/+55/+40 °C
Ausgangssignal	4 ... 20 mA, HART®
Hilfsenergie	DC 10 ... 30 V
Messgenauigkeit	< ±0,5 mm
Auflösung	< 0,1 mm
Schutzart	IP68

Weitere technische Daten siehe Datenblatt LM 10.05 und Bestellunterlagen.

10.4 Schwimmer

Der Schwimmer ist eine wesentliche Komponente des Füllstandstransmitters, die in Bezug auf Dichte, Druckfestigkeit und Materialbeständigkeit auf das Medium abgestimmt sein muss.

Die nachfolgend aufgeführten Schwimmer sind austauschbar und können einzeln nachbestellt werden. Weitere Schwimmertypen und -materialien sind auf Anfrage erhältlich.

- ▶ Dichte und Magnetposition von typgleichen Schwimmern variieren geringfügig, so dass eine Nachjustierung notwendig sein kann.
- ▶ Alle Schwimmer sind auch bei einem Druck von -1 bar (Vakuum) einsetzbar.

Werkstoff	Ausführung	Beschreibung	Für Gleitrohr-Ø in mm	Grenzdichte 85 % in kg/m ³
CrNi-Stahl 1.4571 (316Ti)	V18/42A	Zylinder Ø 18 mm	6	800
	V27A	Zylinder Ø 27 mm	6	700
	V29A	Kugel Ø 29 mm	6	920
	V29A/40	Zylinder Ø 29 mm	12	620
	V44A	Zylinder Ø 44 mm	12	720
	V52A	Kugel Ø 52 mm	12	690
Titan 3.7035 (Grade 2)	T29A	Kugel Ø 29 mm	6	700

10. Technische Daten

Werkstoff	Ausführung	Beschreibung	Für Gleitrohr-Ø in mm	Grenzdichte 85 % in kg/m ³
Buna (NBR)	B20A	Zylinder Ø 20 mm	6	940
	B23A	Zylinder Ø 23 mm	6	800
	B25A	Zylinder Ø 25 mm	6	790
	B30A	Zylinder Ø 30 mm	6	680
	B40A	Zylinder Ø 40 mm	12	580

DE



Die Druckfestigkeit kann nur für unbeschädigte Schwimmer gewährleistet werden. Selbst kleinste und nicht sichtbare Dellen, die z. B. entstehen, wenn der Schwimmer vom Tisch auf einen Steinboden fällt, genügen, um die Druckfestigkeit deutlich herabzusetzen.



EU-Konformitätserklärung EU Declaration of Conformity

Document Nr.: 1248
Document No.:

Wir erklären in alleiniger Verantwortung, dass die mit CE gekennzeichneten Produkte
We declare under our sole responsibility that the CE marked products

FLM-TAI
FLM-CAI
BLM-CAI
BLM-TAI
FLM-TMI
FLM-CMI
BLM-CMI
BLM-TMI

Beschreibung: **Magnetostriktiv-Niveau-Messwertgeber; Magnetostriktiv-Niveau-Messwertgeber für Bypass-Anbau;**
Description: Magnetostrictive level transmitter, Magnetostrictive level transmitter for bypass mounting

Die grundlegenden Schutzanforderungen der folgenden Richtlinien erfüllen:
Comply with the essential protection requirements of the directives:

2011/65/EU	Gefährliche Stoffe (RoHS): <i>Hazardous substances (RoHS):</i>	EN 50581:2012 EN IEC 63000:2018
2014/34/EU	Explosionsschutz (ATEX) ⁽¹⁾⁽²⁾ : <i>Explosion protection (ATEX) ⁽¹⁾⁽²⁾:</i>	EN IEC 60079-0:2018 EN 60079-11:2012 EN 60079-26 :2015
2014/30/EU	Elektromagnetische Verträglichkeit (EMV) <i>Electromagnetic compatibility (EMC)</i>	EN 61326-1 :2013 Klasse B; Industrielle elektromagnetische Umgebung <i>Class B; Industrial electromagnetic environment</i>

⁽¹⁾ EG-Baumusterprüfbescheinigung TÜV 18 ATEX 225120 X
EC type examination certificate TÜV 18 ATEX 225120 X

⁽²⁾ Notifizierte Stelle: TÜV NORD CERT GmbH, Langemarckstraße 20, 45141 Essen (Reg.-Nr. 0044).
Notified Body: TÜV NORD CERT GmbH, Langemarckstraße 20, 45141 Essen (Reg.-Nr. 0044).

Unterszeichnet für und im Namen von / *Signed for and on behalf of*

KSR Kuebler Niveau-Messtechnik GmbH
Zwingenberg, 2020-06-09

Stefan Amendt, Technischer Leiter

KSR Kuebler subsidiaries worldwide can be found online at www.ksr-kuebler.com.
WIKA subsidiaries worldwide can be found online at www.wika.com.

Manufacturer contact:



KSR Kuebler Niveau-Messtechnik GmbH

Heinrich-Kuebler-Platz 1
69439 Zwingenberg am Neckar • Germany
Tel. +49 6263/87-0
Fax +49 6263/87-99
info@ksr-kuebler.com
www.ksr-kuebler.com

Sales contact:



WIKA Alexander Wiegand SE & Co. KG

Alexander-Wiegand-Strasse 30
63911 Klingenberg • Germany
Tel. +49 9372 132-0
Fax +49 9372 132-406
info@wika.de
www.wika.de